



# 2-pc Trunnion Mounted Flanged Ball Valves, Full Bore, ANSI Class 150

## VW-64

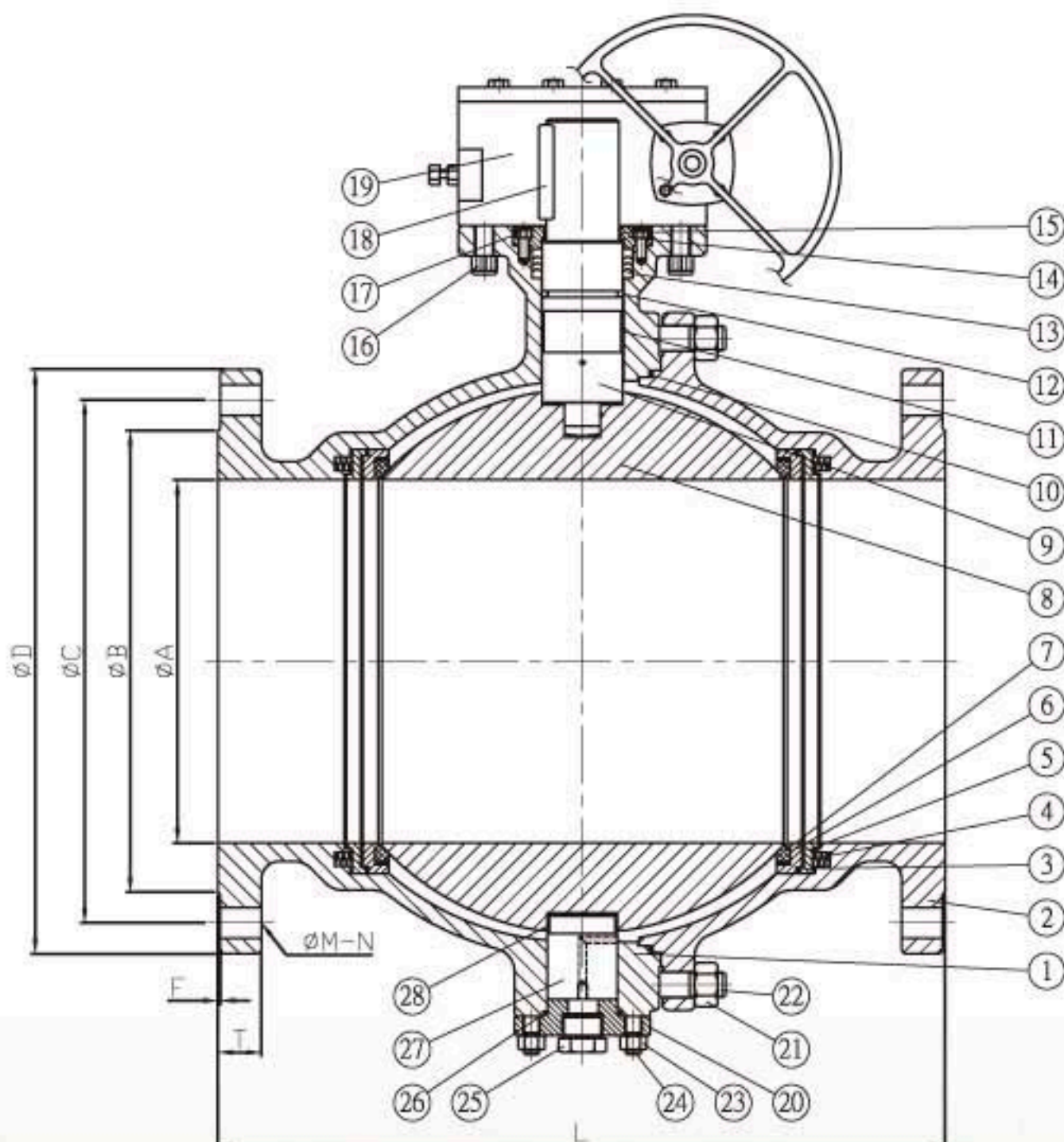
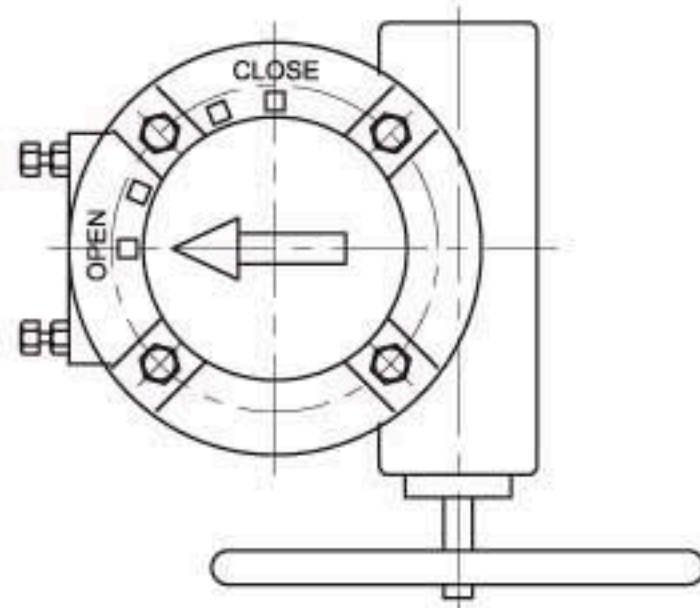


Full Bore 2"~24" (DN 50~DN 600)  
 Anti Blow-out stem/Anti static design  
 Body: Stainless steel, Carbon steel, Special Alloy steel  
 Ball: SS 316 / SS 304  
 Stem: SS 316 / SS 304  
 Seat: PTFE, RTFE, MSO2, PEEK, Nylon, PCTFE ... etc.  
 Temperature Range: -4 to 356°F (-20 to 180°C)  
 Butt Weld Dimensions: ANSI B16.25  
 Face to Face: ANSI B16.10 150-2500  
 EN 558-1 F1/F4/F5  
 Flange Dimensions: ANSI B16.5 Class 150-2500  
 EN1092-1 PN10~PN40  
 JIS 10K  
 Testing and inspection: API 6D, API 598

### Dimensions

Unit: inch

VALVE SIZE	A	B	C	D	F	L	T	ØM-N
8"	7.874	10.620	11.750	13.500	0.060	17.992	1.120	Ø 0.880-8
10"	9.843	12.750	14.250	16.000	0.060	20.984	1.190	Ø 1.000-12
12"	11.811	15.000	17.000	19.000	0.060	24.016	1.250	Ø 1.000-12
14"	13.780	16.250	18.750	21.000	0.060	27.008	1.380	Ø 1.120-12
16"	15.748	18.500	21.250	23.500	0.060	30.000	1.440	Ø 1.120-16
18"	17.717	21.000	22.750	25.000	0.060	34.016	1.560	Ø 1.250-16
20"	19.685	23.000	25.000	27.500	0.060	35.984	1.690	Ø 1.250-20
24"	23.622	27.250	29.500	32.000	0.060	42.008	1.880	Ø 1.380-20



### Material

NO.	PART NAME	MATERIAL
1	BODY	CF8M / WCB
2	END CAP	CF8M / WCB
3	BODY SEALS	PTFE.
4	SEAT SEALS	SS 316
5	SEAT RING	SS 316
6	SEAT RING	SS 316
7	SEAT	RTFE (+ 15%G/F)
8	BALL	SS 316 / SS 304
9	STEM	SS 316 / SS 304
10	BODY SEAL	PTFE.
11	STEM BUSHING	PTFE.
12	O-RING	VITON
13	PACKING	PTFE.
14	GLAND	SS 304
15	GLAND WASHER	PTFE.
16	GEAR BOLT	SS 304
17	GLAND BOLT	SS 304
18	STOP PIN	SS 304
19	WORM GEAR	CAST IRON
20	END PLATE	SS 304
21	NUT	ASTM A194 Gr. 8
22	STUD	ASTM A193 Gr.B8
23	NUT	ASTM A194 Gr. 8
24	STUD	ASTM A193 Gr.B8
25	PLUG	SS 304
26	GASKET	PTFE.
27	BOTTOM STEM	SS 316
28	BOTTOM BEARING	PTFE.