



VW-57

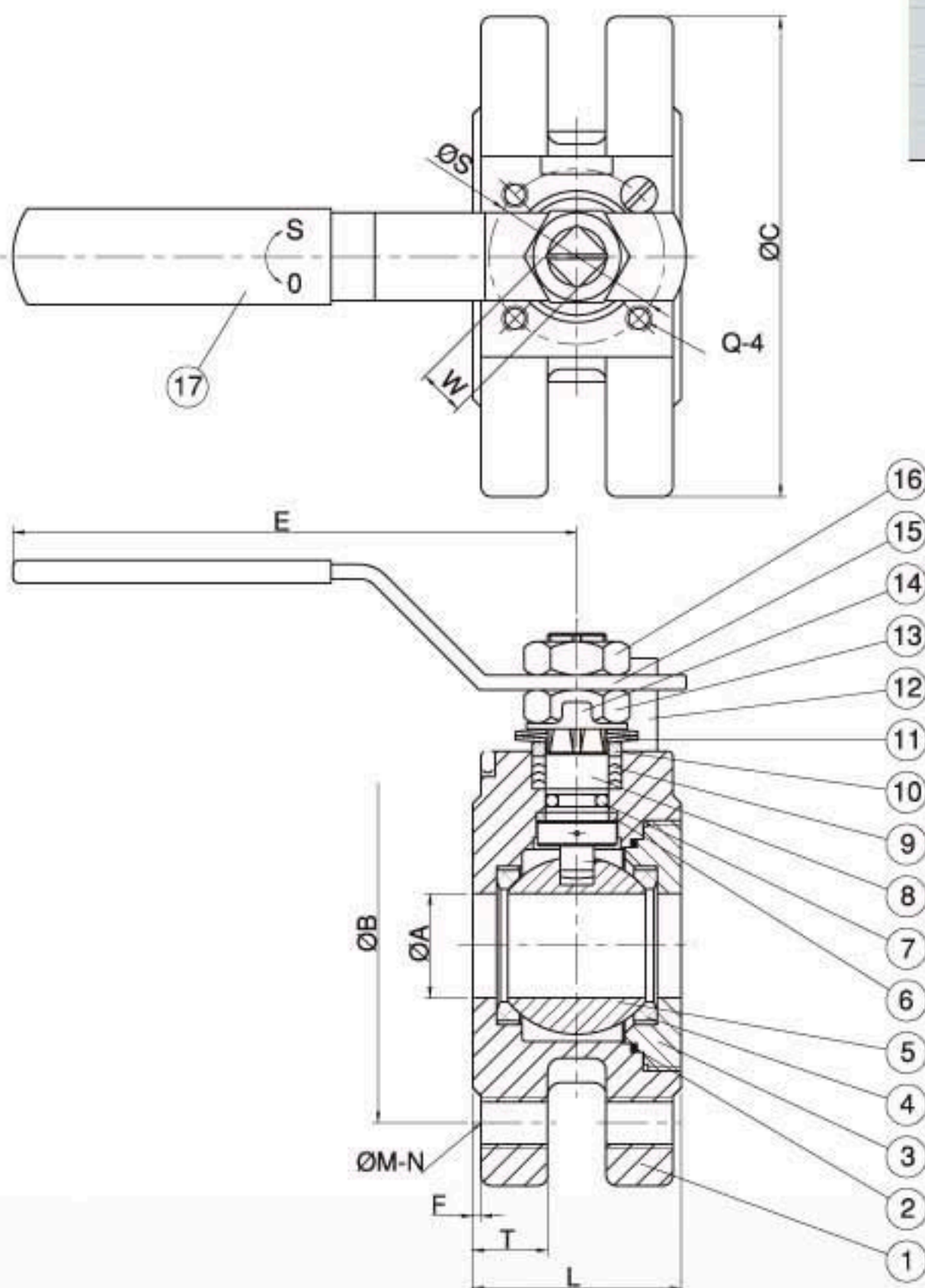


Full Bore 1/2"~3"(DN 15~ DN 80)
 Blow-out-proof stem & anti-static design
 Body: Stainless steel, Carbon steel, Special Alloy steel
 Ball: ASTM A-351 Gr. CF8M
 Stem: ASTM A479 G.R 316
 Seat: RTFE(PTFE +15%GF)
 Temperature Range: -4 to 356°F(-20 to 180°C)
 Design Code: EN 12516-1
 Mounting Flange: ISO 5211
 Face to Face: Mfg. Std.
 Flange Dimensions: ANSI B16.5 Class 150 / 300
 EN 1092-1 PN16/40

Dimensions

Unit : mm

Valve Size	A	B	C	E	F	L	W	S	T	Q1	ØM-N
DN15	15.0	60.5	88.9	135.0	2.0	40.8	9.0	42.0	10.0	1/4"-20	1/2"UNC-4
DN20	20.0	69.9	98.6	135.0	2.0	44.0	9.0	42.0	10.4	1/4"-20	1/2"UNC-4
DN25	25.0	79.2	108.0	142.0	2.0	50.0	11.0	42.0	11.2	1/4"-20	1/2"UNC-4
DN32	32.0	88.9	117.4	142.0	2.0	60.0	11.0	42.0	12.7	1/4"-20	1/2"UNC-4
DN40	38.0	98.6	127.0	200.0	2.0	65.0	14.0	50.0	14.3	1/4"-20	1/2"UNC-4
DN50	50.0	120.7	152.4	200.0	2.0	81.0	14.0	50.0	15.8	1/4"-20	5/8"UNC-4
DN65	63.0	139.7	177.8	210.0	2.0	110.0	17.0	70.0	17.6	5/16"-18	5/8"UNC-4
DN80	77.0	152.4	190.5	283.0	2.0	120.0	22.0	70.0	19.1	5/16"-18	5/8"UNC-4



Material

No.	Part Name	Material
1	BODY	ASTM A351 Gr. CF8M
2	BODY SEAL	PTFE.
3	END CAP	ASTM A351 Gr. CF8M
4	SEAT	RTFE.(+15% G/F)
5	BALL	ASTM A351 Gr. CF8M
6	THRUST WASHER	PTFE.
7	O-RING	VITON
8	STEM	SS 316
9	STEM PACKING	PTFE.
10	GLAND	SS 304
11	BELLEVILLE WASHER	SS 304
12	STOP PIN	SS 304
13	STEM NUT	SS 304
14	STOP WASHER	SS 304
15	HANDLE	SS 304
16	HANDLE NUT	SS 304
17	HANDLE COVER	PLASTIC