



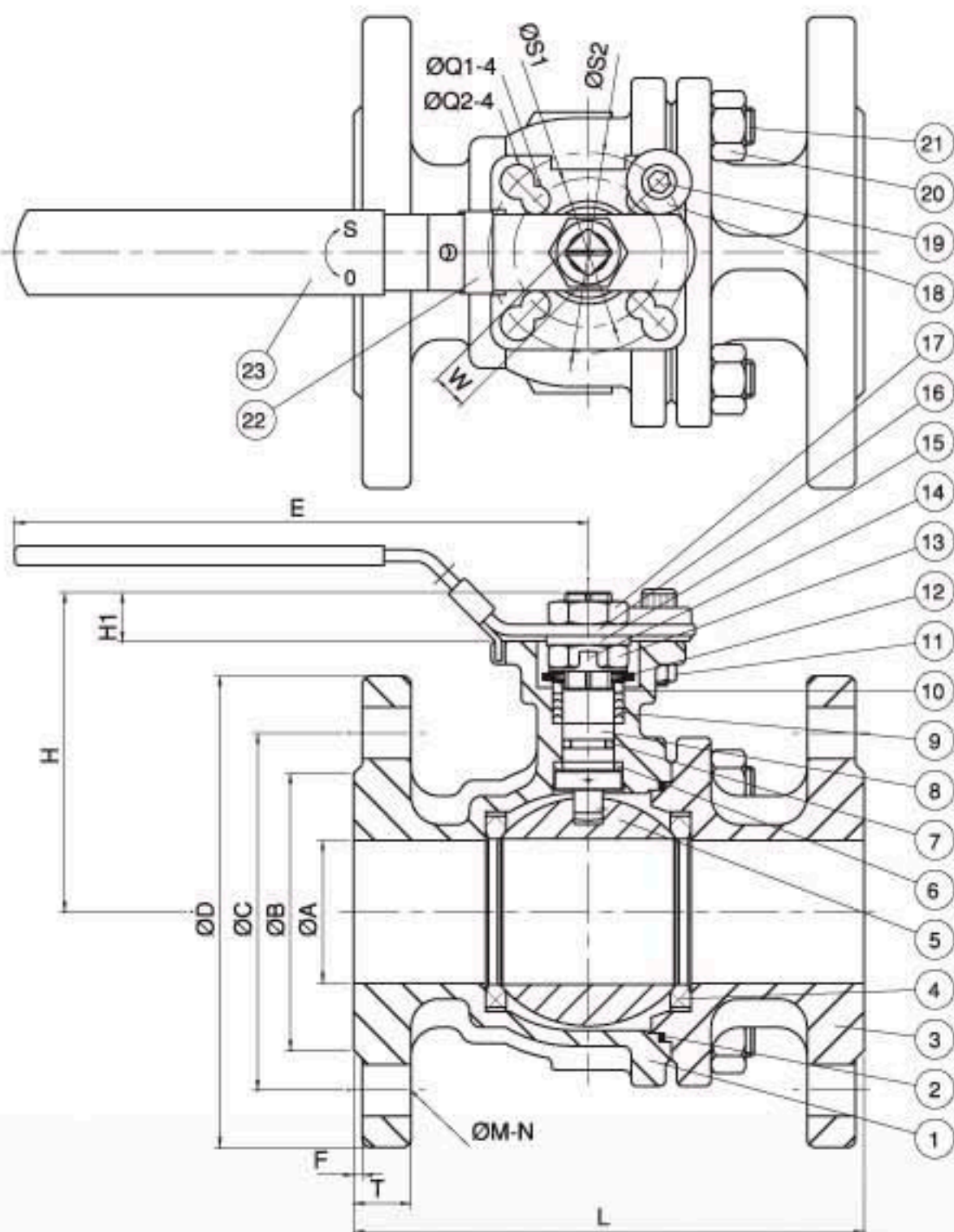
VW-55

Full Bore 1/2"~6"(DN 15~ DN 150)
 Blow-out-proof stem design
 Anti-Static design/ISO 5211 Direct Mounting Flang
 Body: Stainless steel, Carbon steel, Special Alloy steel
 Ball: EN 1.4408 (ASTM A-351 Gr. CF8M)
 Stem: SS 316
 Seat: PTFE +15%GF
 Temperature Range: -4 to 356°F(-20 to 180°C)
 Face to Face: EN 558-1 F1/F4/F5
 ANSI B16.10 Class 150 / 300 / 600
 Flange Dimensions: EN 1092-1 PN10/16/25/40
 ANSI B16.5 Class 150 / 300 / 600

Dimensions

Unit : mm

Valve Size	A	B	C	D	E	F	H	H1	L	W	S1	S2	T	Q1	Q2	øM-N
1/2"	15.0	45.0	65.0	95.0	142.0	2.0	67.0	13.0	115.0	11.0	42.0	50.0	16.0	7.0	8.0	Ø14-4
3/4"	20.0	54.0	75.0	105.0	142.0	2.0	69.5	13.0	120.0	11.0	42.0	50.0	18.0	7.0	8.0	Ø14-4
1"	25.0	65.0	85.0	115.0	142.0	2.0	76.1	13.5	125.0	11.0	42.0	50.0	18.0	7.0	8.0	Ø14-4
1-1/4"	32.0	76.0	100.0	140.0	142.0	2.0	88.5	13.5	130.0	11.0	42.0	50.0	18.0	7.0	8.0	Ø18-4
1-1/2"	38.0	82.0	110.0	150.0	200.0	2.0	103.0	16.0	140.0	14.0	50.0	70.0	18.0	8.0	10.0	Ø18-4
2"	50.0	97.0	125.0	165.0	200.0	2.0	110.6	16.0	150.0	14.0	50.0	70.0	18.0	8.0	10.0	Ø18-4
2-1/2"	63.0	122.0	145.0	185.0	210.0	2.0	131.8	19.0	170.0	17.0	70.0	102.0	18.0	10.0	12.0	Ø18-4
3"	80.0	138.0	160.0	200.0	283.0	2.0	153.3	24.0	180.0	22.0	102.0	125.0	20.0	12.0	14.0	Ø18-8
4"	98.0	158.0	180.0	220.0	283.0	2.0	168.3	24.0	190.0	22.0	102.0	125.0	20.0	12.0	14.0	Ø18-8
5"	125.0	188.0	210.0	250.0	840.0	2.0	224.0	30.0	325.0	27.0	125.0	140.0	22.0	14.0	16.0	Ø18-8
6"	150.0	212.0	240.0	285.0	840.0	2.0	243.0	30.0	350.0	27.0	125.0	140.0	22.0	14.0	16.0	Ø22-8



Material

No.	Part Name	Material
1	BODY	EN 10213-2 1.4408
2	BODY SEAL	PTFE.
3	END CAP	EN 10213-2 1.4408
4	SEAT	RTFE.(+15% G/F)
5	BALL	ASTM A351 Gr. CF8M
6	THRUST WASHER	PTFE.
7	O-RING	VITON
8	STEM	SS 316
9	STEM PACKING	PTFE.
10	GLAND	SS 304
11	NUT	SS 304
12	BELLEVILLE WASHER	SS 304
13	STEM NUT	SS 304
14	STOP WASHER	SS 304
15	STEM WASHER	SS 304
16	HANDLE	SS 304
17	HANDLE NUT	SS 304
18	STOP PIN	SS 304
19	BOLT	SS 304
20	NUT	ASTM A194 Gr. 8
21	STUD	ASTM A193 Gr. B8
22	LOCKING PAD	SS 304
23	HANDLE COVER	PLASTIC