



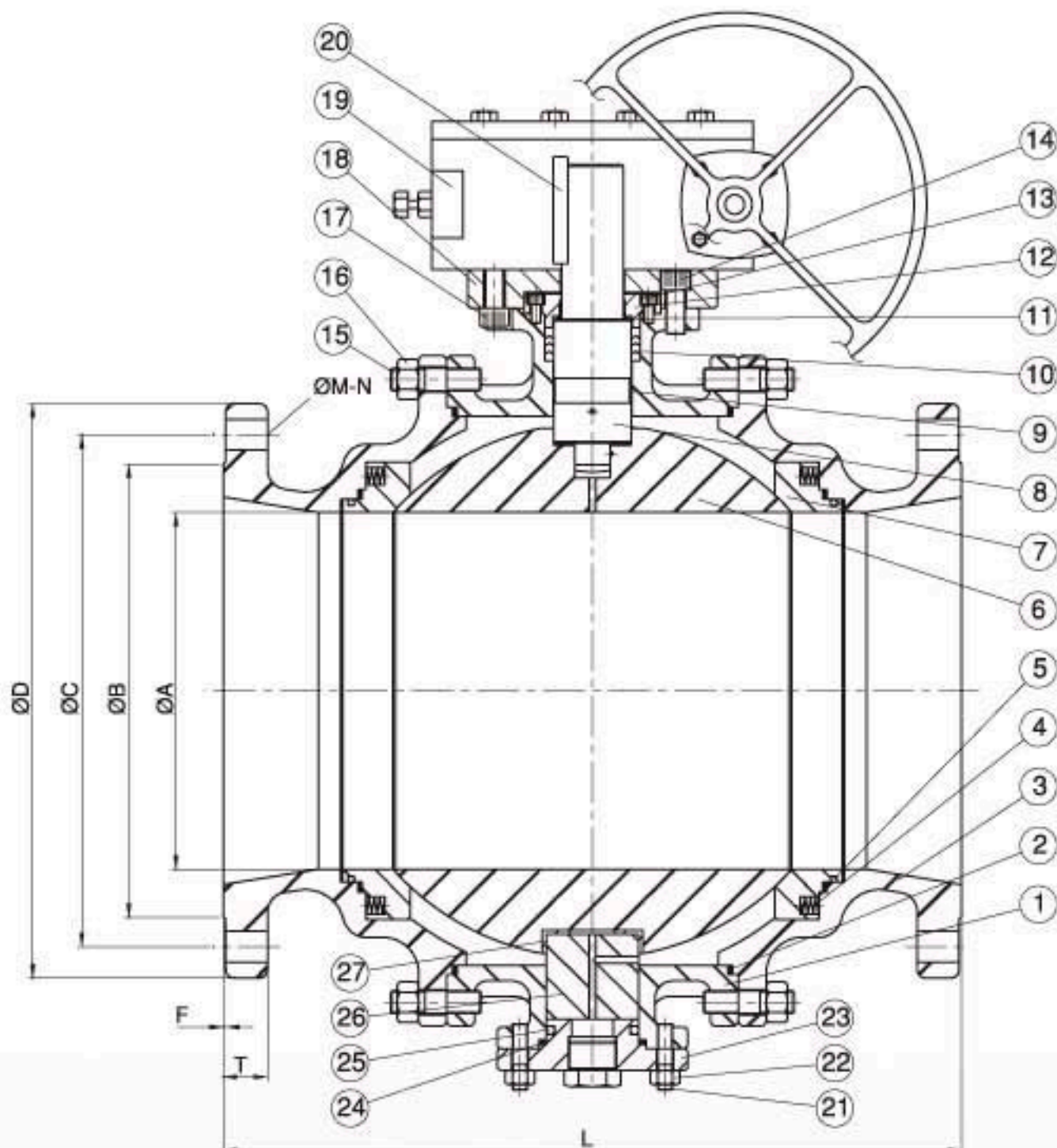
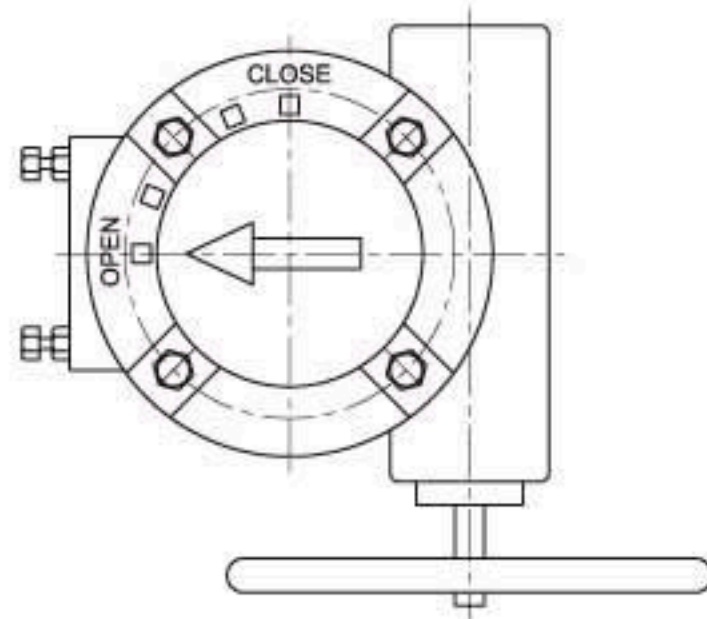
VW-54Q Metal Seated, API 6FA Fire Safe Design

VW-53Q Reduced Bore 3"~24" (DN 80~ DN 600)
 VW-54Q Full Bore 2"~24" (DN 50~ DN 600)
 Blow-out-proof stem design
 Body: Stainless steel, Carbon steel, Special Alloy steel
 Ball: SS 316 (Coated)
 Stem: SS 316
 Seat: SS 316+Solder Stellite #6
 Temperature Range: -4 to 1022°F (-20 to 550°C)
 Face to Face: ANSI B16.10
 Flange Dimensions: ANSI B16.5 Class 150 / 300 / 600
 900 / 1500 / 2500
 Tightness rates: ΔP: ASME / FCI 70-2 Class V

Dimensions

Unit : mm

Valve Size	A	B	C	D	F	L	T	øM-N
3"x2"	50.0	127.0	152.4	190.5	1.6	203.0	19.1	ø19.1-4
4"x3"	80.0	157.2	190.5	228.6	1.6	229.0	23.9	ø19.1-8
6"x4"	98.0	215.9	241.3	279.4	1.6	394.0	25.4	ø22.4-8
8"x6"	150.0	269.7	298.5	342.9	1.6	457.0	23.9	ø22.4-8
12"x10"	250.0	381.0	431.8	482.6	1.6	610.0	31.8	ø25.4-12
16"x14"	350.0	469.9	539.8	596.9	1.6	762.0	36.6	ø28.4-16
18"x16"	400.0	533.4	577.9	635.0	1.6	864.0	39.6	ø31.8-16
20"x18"	450.0	584.2	635.0	698.5	1.6	914.0	42.9	ø31.8-20
24"x20"	500.0	692.2	749.3	812.8	1.6	1067.0	47.8	ø35.1-20



Material

No.	Part Name	Material
1	BODY	ASTM A351 Gr. CF8M
2	BODY SEAL	SS316+GRAPHITE
3	END CAP	ASTM A351 Gr. CF8M
4	SPRING	SS 316
5	O-RING	VITON
6	BALL	SS 316+Hard Chrome Plated
7	SEAT	SS 316+Solder Stellite #6
8	STEM	SS 316
9	STEM BUSHING	PTFE.
10	STEM PACKING	GRAPHITE
11	GLAND BEARING	PTFE.
12	GLAND	SS 304
13	GLAND BOLT	SS 304
14	GEAR BACKET BOLT	SS 304
15	STUD	ASTM A193 Gr. B8
16	NUT	ASTM A194 Gr. 8
17	GEAR BOLT	SS 304
18	GEAR BACKET	SS 304
19	WORM GEAR	STANDARD TYPE
20	STEM PIN	STAINLESS STEEL
21	STUD	ASTM A193 Gr. B8
22	NUT	ASTM A194 Gr. 8
23	END PLATE	SS 316
24	GASKET	SS316+GRAPHITE
25	BOTTOM STEM	SS 316
26	O-RING	VITON
27	BOTTOM BEARING	PTFE.