



# 3-pc Trunnion Mounted Flanged Ball Valves, Full Bore , ANSI Class 150

## VW-54

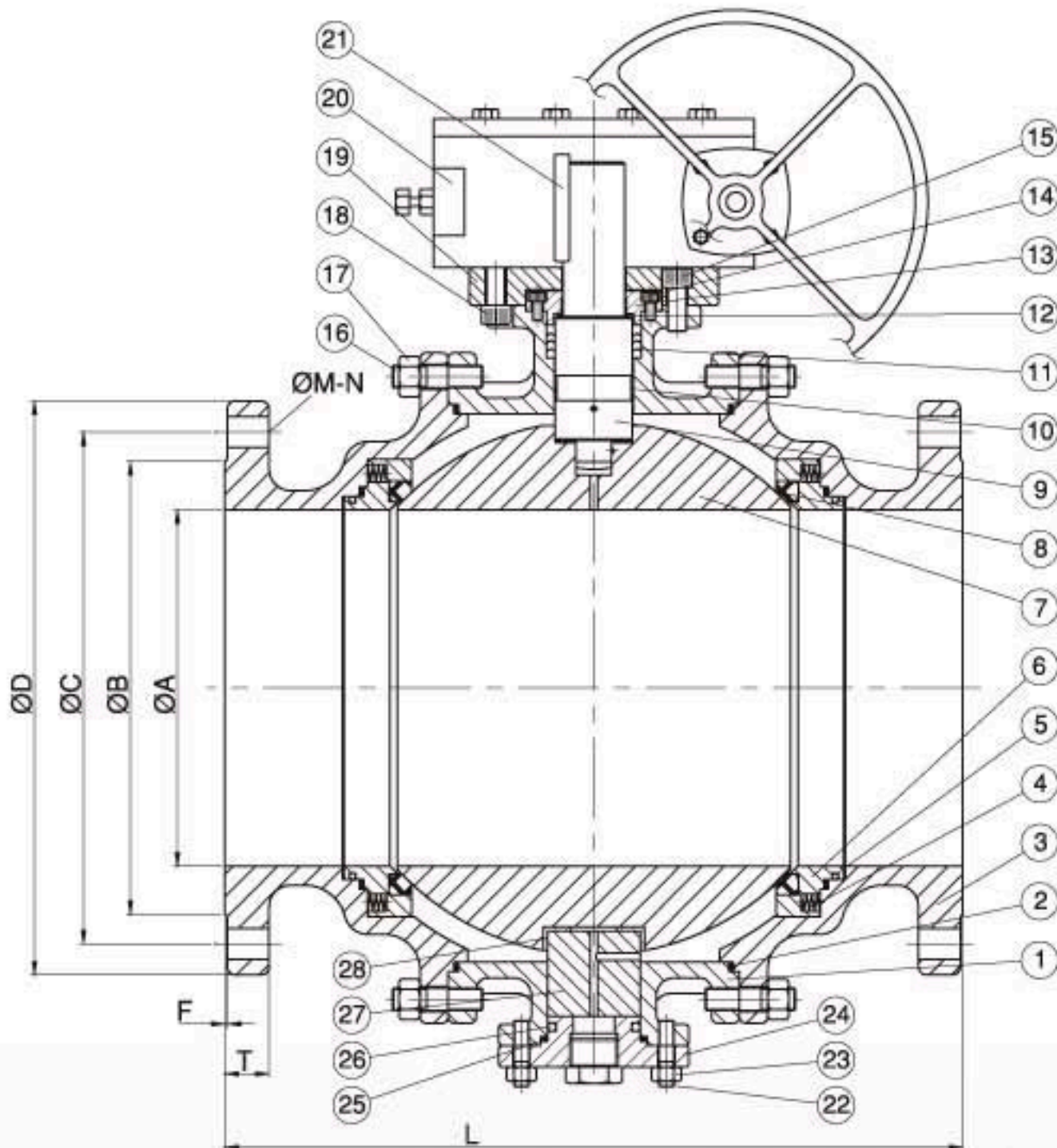
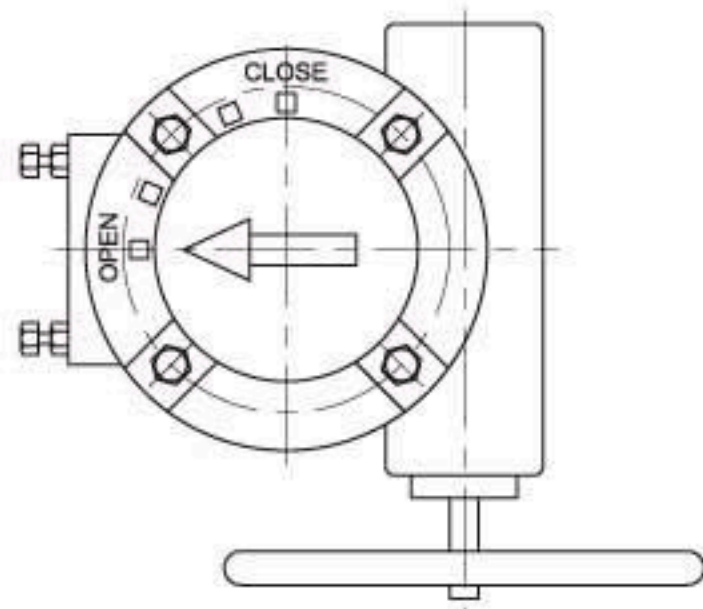
Full Bore 2"~24"(DN 50~ DN 600)  
 Body:Stainless steel,Carbon steel,Special Alloy steel  
 Ball: SS 316 / SS 304  
 Stem:SS 316 / SS 304  
 Seat: PTFE / RTFE / MSO2 / Nylon / Peek  
 Temperature Range: -4 to 356°F(-20 to 180°C)  
 Butt Weld Dimensions:ANSI B16.25  
 Face to Face: ANSI B16.10  
 Flange Dimensions: ANSI B16.5 Class 150 / 300 / 600 / 900 / 1500 / 2500



### Dimensions

Unit : mm

Valve Size	A	B	C	D	F	L	T	øM-N
2"	50.0	91.9	120.7	152.4	1.6	178.0	15.7	ø19.1-4
2-1/2"	63.0	104.6	139.7	177.8	1.6	190.0	17.5	ø19.1-4
3"	80.0	127	152.4	190.5	1.6	203.0	19.1	ø19.1-4
4"	98.0	157.2	190.5	228.6	1.6	229.0	23.9	ø19.1-8
5"	125.0	185.7	215.9	254.0	1.6	356.0	23.9	ø22.4-8
6"	150.0	215.9	241.3	279.4	1.6	394.0	25.4	ø22.4-8
8"	200.0	250.0	298.5	342.9	1.6	457.0	28.4	ø22.4-8
10"	250.0	323.9	362.0	406.4	1.6	533.0	30.2	ø25.4-12
12"	300.0	381.0	431.8	482.6	1.6	610.0	31.8	ø25.4-12
14"	350.0	412.8	476.3	533.4	1.6	686.0	35.1	ø28.4-12
16"	400.0	469.9	539.8	596.9	1.6	768.0	36.6	ø28.4-16
18"	450.0	533.4	577.9	635.0	1.6	864.0	39.6	ø31.8-16
20"	500.0	584.2	635.0	698.5	1.6	914.0	42.9	ø31.8-20
24"	600.0	692.2	749.3	812.8	1.6	1067.0	47.8	ø35.0-20



### Material

No.	Part Name	Material
1	BODY	ASTM A351 Gr. CF8M
2	BODY SEAL	PTFE.
3	END CAP	ASTM A351 Gr. CF8M
4	SPRING	SS 316
5	O-RING	VITON
6	SEAT RING	SS 316
7	BALL	SS 316 A351 Gr. CF8M
8	SEAT	RTFE.(+15% G/F)
9	STEM	SS 316
10	STEM BUSHING	PTFE.
11	STEM PACKING	PTFE.
12	GLAND BEARING	PTFE.
13	GLAND	SS 304
14	GLAND BOLT	SS 304
15	GEAR BACKET BOLT	SS 304
16	STUD	ASTM A193 Gr. B8
17	NUT	ASTM A194 Gr. 8
18	GEAR BOLT	SS 304
19	GEAR BACKET	SS 304
20	WORM GEAR	STANDARD TYPE
21	STEM PIN	STAINLESS STEEL
22	STUD	ASTM A193 Gr. B8
23	NUT	ASTM A194 Gr. 8
24	END PLATE	SS 316
25	GASKET	PTFE
26	BOTTOM STEM	SS 316
27	O-RING	NBR
28	BOTTOM BEARING	PTFE.