



# 2-pc Flanged Ball Valves, Full Bore, Metal Seated ANSI Class 150

**VW-52Q**

Metal Seated, API 6FA Fire Safe Design

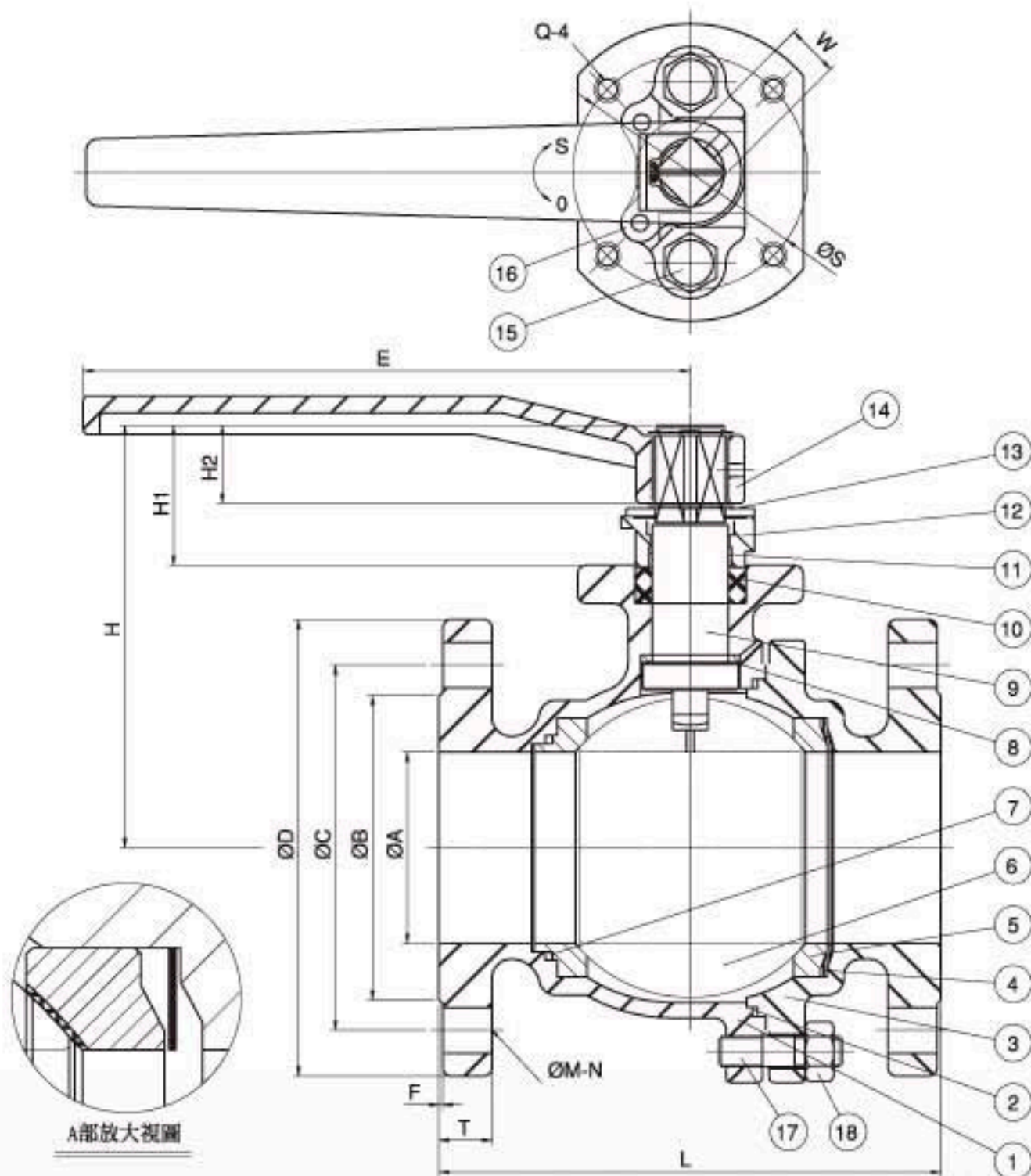


Full Bore 1/2"~6" (DN 15~ DN 150)  
 Blow-out-proof stem design  
 Locking Device  
 Anti-Static design / ISO 5211 Mounting Flange  
 Body: Stainless steel, Carbon steel, Special Alloy steel  
 Ball: SS 316 (Coated)  
 Stem: SS316  
 Seats: SS 316+Solder Stellite #6  
 Temperature Range: -4 to 1022°F(-20 to 550°C)  
 Face to Face: ANSI B16.10 Class 150 / 300 / 600  
 EN 558-1 F1 /F4 /F5  
 Flange Dimensions: ANSI B16.5 Class 150 / 300 / 600  
 EN 1092-1 PN10 /16 /25 /40  
 JIS 10K  
 Tightness rates: ΔP: ASME / FCI 70-2 Class V

**Dimensions**

Unit :mm

VALVE SIZE	A	B	C	D	E	F	H	H1	H2	L	W	S	T	Q	øM-N
1/2"	15.0	35.1	60.5	88.9	130.8	1.6	65.7	22.7	12.5	108.0	11.0	42.0	11.2	1/4"-20	ø15.74
3/4"	20.0	42.9	69.9	98.6	130.8	1.6	68.2	22.5	12.5	117.0	11.0	42.0	11.2	1/4"-20	ø15.74
1"	25.0	50.8	79.2	108.0	165.0	1.6	80.6	29.3	15.5	127.0	14.0	50.0	11.2	1/4"-20	ø15.74
1-1/4"	32.0	63.5	88.9	117.3	165.0	1.6	86.5	29.3	15.5	140.0	14.0	50.0	12.7	1/4"-20	ø15.74
1-1/2"	38.0	73.2	98.6	127.0	202.0	1.6	108.9	38.4	21.5	165.0	17.0	70.0	14.2	5/16"-18	ø15.74
2"	50.0	91.9	120.7	152.4	202.0	1.6	116.5	38.4	21.5	178.0	17.0	70.0	15.7	5/16"-18	ø19.14
2-1/2"	63.0	104.6	139.7	177.8	202.0	1.6	139.0	38.4	21.5	190.0	17.0	70.0	17.5	5/16"-18	ø19.14
3"	80.0	127.0	152.4	190.5	328.5	1.6	169.4	58.3	31.5	203.0	22.0	102.0	19.1	3/8"-16	ø19.14
4"	98.0	157.2	190.5	228.6	328.5	1.6	193.3	60.3	33.1	229.0	22.0	102.0	23.9	3/8"-16	ø19.18
5"	125.0	185.7	215.9	254.0	752.5	1.6	237.0	75.0	45.5	356.0	27.0	125.0	23.9	1/2"-13	ø22.48
6"	150.0	215.9	241.3	279.4	752.5	1.6	256.0	75.0	45.5	394.0	27.0	125.0	25.4	1/2"-13	ø22.48



**Material**

No.	Part Name	Material
1	BODY	ASTM A351 Gr. CF8M
2	BODY SEAL	SS 316+GRAPHITE
3	END CAP	ASTM A351 Gr. CF8M
4	SRPING	INCONLE X-750
5	SEAT	SS 316+Solder Stellite #6
6	BALL	SS 316+Hard Chrome Plated
7	INSERT SEAT	GRAPHITE
8	THRUST WASHER	GRAPHITE
9	STEM	SS 316
10	STEM PACKING	GRAPHITE
11	GLAND BEARING	PTFE
12	GLAND	SS 304
13	SNAP RING	SS 304
14	HANDLE	FCD45
15	BOLT	SS 304
16	STOP PLATE	SS 304
17	STUD	ASTM A193 Gr. B8
18	NUT	ASTM A194 Gr. 8