



VW-51Q

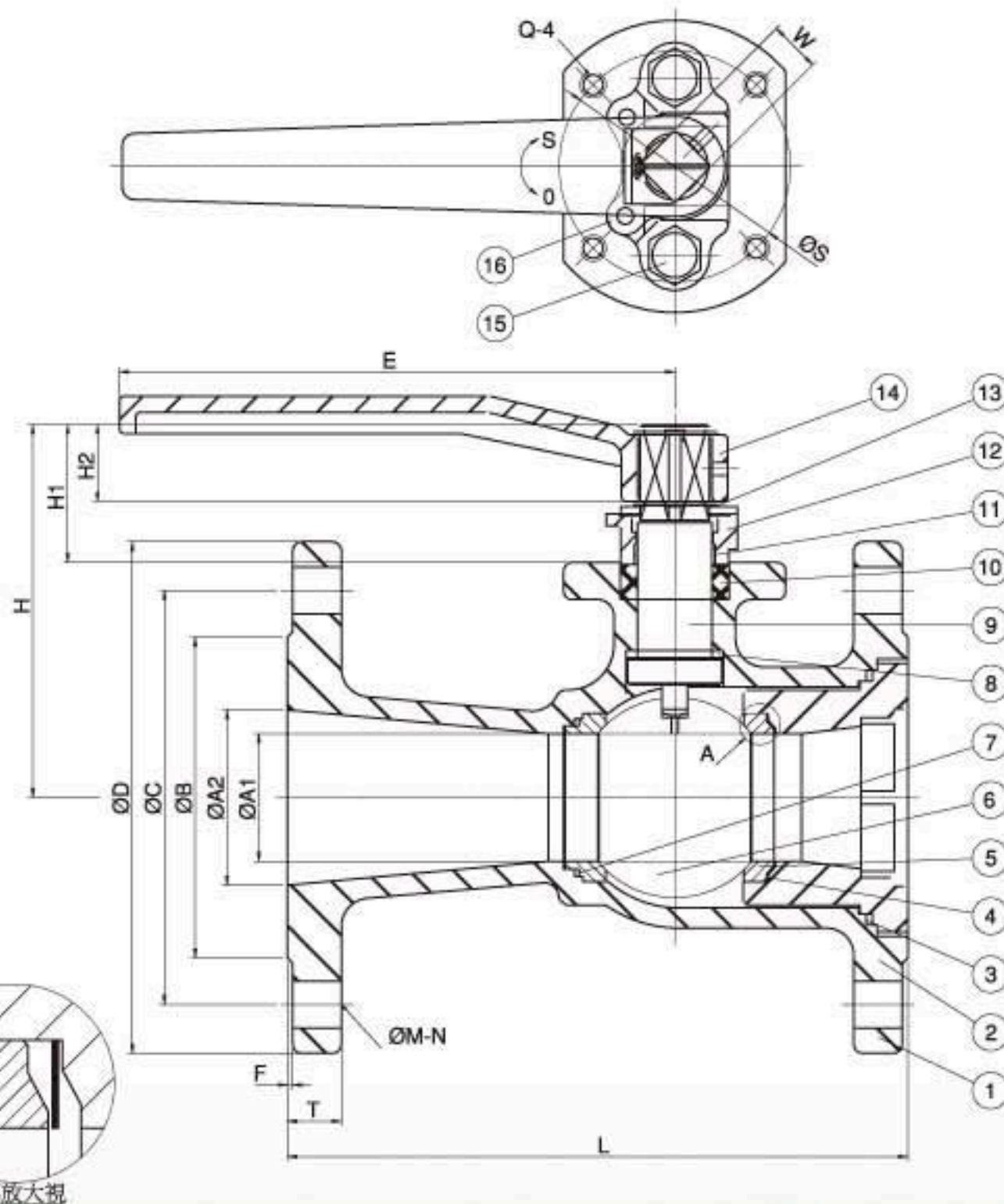
Metal Seated, API 6FA Fire Safe Design

- Reduced Bore 1/2"~6" (DN 15~ DN 150)
- Blow-out-proof stem design
- Locking Device
- Anti-Static design / ISO 5211 Mounting Flange
- Body: Stainless steel, Carbon steel, Special Alloy steel
- Ball: SS 316 (Coated)
- Stem: SS 316
- Seat: SS 316+Solder Stellite #6
- Temperature Range: -4 to 1022°F(-20 to 550°C)
- Face to Face: ANSI B16.10 Class 150 / 300 / 600
- Flange Dimensions: ANSI B16.5 Class 150 / 300 / 600
- Tightness rates: ΔP: ASME / FCI 70-2 Class V

Dimensions

Unit :mm

VALVE SIZE	A1	A2	B	C	D	E	F	H	H1	H2	L	W	S	T	Q	øM-N
1/2"	12.5	15.0	35.1	60.5	88.9	130.0	1.6	45.0	17.5	8.5	108.0	9.0	36.0	11.2	1/4"-20	ø15.74
3/4"	16.0	20.0	42.9	69.9	98.6	130.0	1.6	47.2	17.5	8.5	117.0	9.0	36.0	11.2	1/4"-20	ø15.74
1"	20.0	25.0	50.8	79.2	108.0	130.8	1.6	80.5	22.5	12.5	127.0	11.0	50.0	11.2	1/4"-20	ø15.74
1-1/2"	32.0	38.9	73.2	98.6	127.0	165.0	1.6	86.4	29.2	15.5	165.0	14.0	50.0	14.2	1/4"-20	ø15.74
2"	38.0	46.0	91.9	120.7	152.4	202.0	1.6	116.6	38.4	21.5	178.0	17.0	70.0	15.7	5/16"-18	ø19.14
2-1/2"	51.0	66.0	104.6	139.7	177.8	202.0	1.6	139.0	38.4	21.5	190.0	17.0	70.0	17.5	5/16"-18	ø19.14
3"	58.0	76.0	127.0	152.4	190.5	328.5	1.6	169.4	58.4	31.5	203.0	22.0	102.0	19.1	3/8"-16	ø19.14
4"	80.0	95.0	157.2	190.5	228.6	328.5	1.6	193.3	60.2	33.1	229.0	22.0	102.0	23.9	3/8"-16	ø19.18
6"	115.0	150.0	215.9	241.3	279.4	752.5	1.6	256.0	74.9	45.5	267.0	22.0	125.0	25.4	1/2"-13	ø22.48



Material

No.	Part Name	Material
1	BODY	ASTM A351 Gr. CF8M
2	END CAP	ASTM A351 Gr. CF8M
3	BODY SEAL	GRAPHITE
4	SEAT SPRING	INCONLE X-750
5	SEAT	SS 316+Solder Stellite #6
6	BALL	SS 316+Hard Chrome Plated
7	INSERT SEAT	GRAPHITE
8	THRUST WASHER	GRAPHITE PTFE
9	STEM	SS 316
10	STEM PACKING	GRAPHITE
11	GLAND BEARING	PTFE
12	GLAND	SS 304
13	SNAP RING	SS 304
14	HANDLE	FCD45
15	BOLT	SS 304
16	STOP PLATE	SS 304