



1-pc Flanged Ball Valves, Reduced Bore, ANSI Class 150

VW-51 API 607 Fire Safe Approved

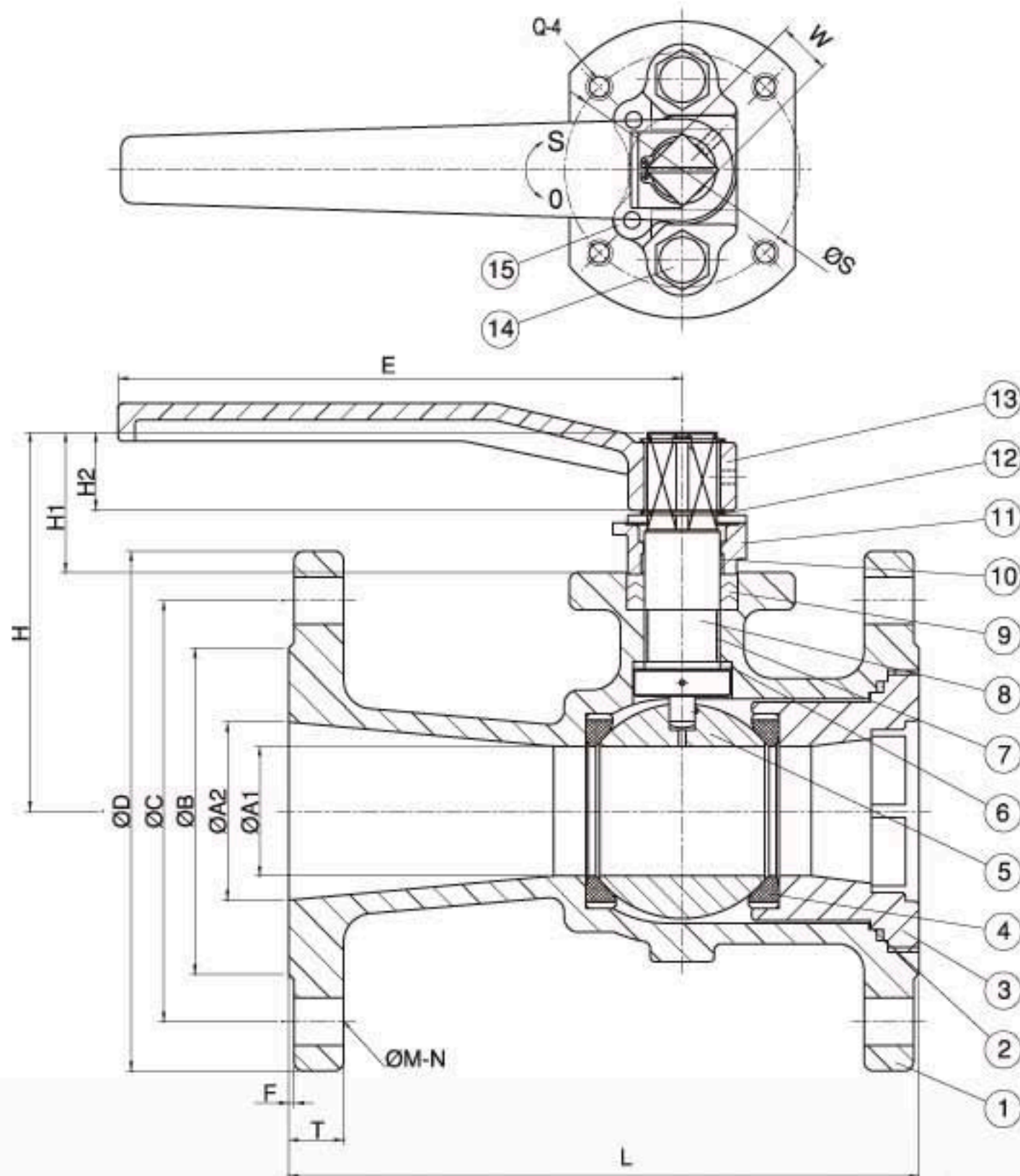


Reduced Bore 1/2"~6"(DN 15~ DN 150)
 Blow-out-proof stem design
 Lock Device
 Anti-Static design/ISO 5211 Mounting Flange
 Body:Stainless steel,Carbon steel,Special Alloy steel
 Ball: SS 316
 Stem:SS 316
 Seat: PTFE +15% GF
 Temperature Range: -4 to 356°F(-20 to 180°C)
 Face to Face: ANSI B16.10 Class 150 / 300 / 600
 Flange Dimensions: ANSI B16.5 Class 150 / 300 / 600

Dimensions

Unit :mm

VALVE SIZE	A1	A2	B	C	D	E	F	H	H1	H2	L	W	S	T	Q	ØM-N
1/2"	12.5	15.0	35.1	60.5	88.9	130.0	1.6	45.0	17.5	8.5	108.0	9.0	36.0	11.2	1/4"-20	ø15.7-4
3/4"	16.0	20.0	42.9	69.9	98.6	130.0	1.6	47.2	17.5	8.5	117.0	9.0	36.0	11.2	1/4"-20	ø15.7-4
1"	20.0	25.0	50.8	79.2	108.0	130.8	1.6	80.5	22.5	12.5	127.0	11.0	50.0	11.2	1/4"-20	ø15.7-4
1-1/2"	32.0	38.9	73.2	98.6	127.0	165.0	1.6	86.4	29.2	15.5	165.0	14.0	50.0	14.2	1/4"-20	ø15.7-4
2"	38.0	46.0	92	120.7	152.4	202.0	1.6	116.6	38.4	21.5	178.0	17.0	70.0	15.7	5/16"-18	ø19.1-4
2-1/2"	51.0	66.0	104.6	139.7	177.8	202.0	1.6	139.0	38.4	21.5	190.0	17.0	70.0	17.5	5/16"-18	ø19.1-4
3"	58.0	76.0	127.0	152.4	190.5	328.5	1.6	169.4	58.4	31.5	203.0	22.0	102.0	19.1	3/8"-16	ø19.1-4
4"	80.0	95.0	157.2	190.5	228.6	328.5	1.6	193.3	60.2	33.1	229.0	22.0	102.0	23.9	3/8"-16	ø19.1-8
6"	114.0	150.0	215.9	241.3	279.4	752.5	1.6	256.0	74.9	45.5	267.0	27.0	125.0	25.4	1/2"-13	ø22.4-8



Material

NO.	PART NAME	MATERIAL
1	BODY	ASTM A351 Gr. CF8M
2	BODY SEAL	PTFE.
3	END CAP	ASTM A351 Gr. CF8M
4	SEAT	RTFE.(+15% G/F)
5	BALL	ASTM A351 Gr. CF8M
6	THRUST WASHER	PTFE.
7	STEM BUSHING	PTFE.
8	STEM	SS 316
9	STEM PACKING	PTFE.
10	GLAND BEARING	PTFE.
11	GLAND	SS 304
12	SNAP RING	SS 304
13	HANDLE	FCD45
14	BOLT	SS 304
15	STOP PLATE	SS 304