



## 2-pc Screwed Body Ball Valve Full Port, 1000 PSI

### VW-24T1

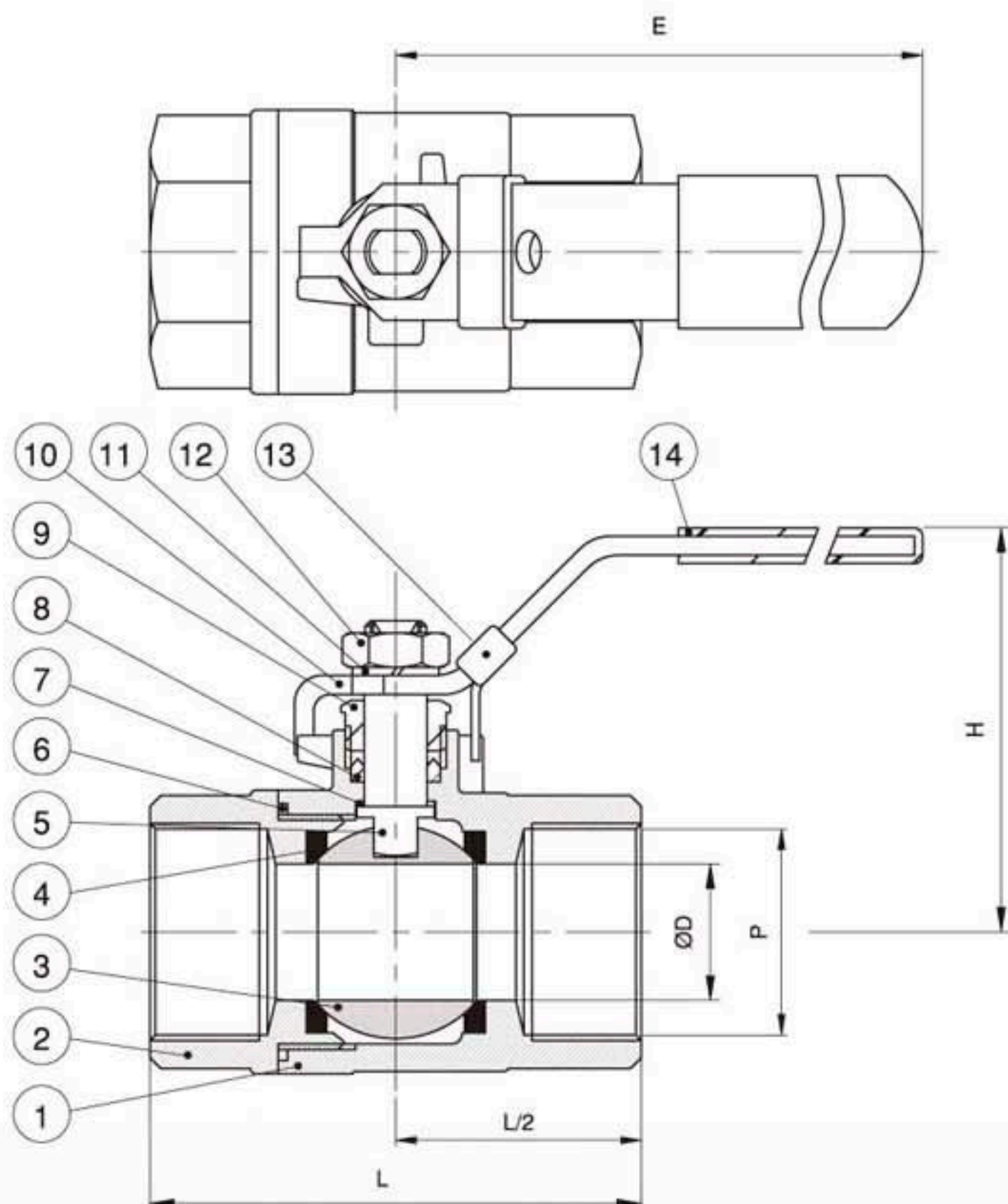
Full Bore 1/4"~3"(DN 8~ DN 80)  
 Blow-out-proof stem design  
 Body: Stainless steel, Carbon steel, Special Alloy steel  
 Ball: SS 316  
 Stem: SS 316  
 Seat: PTFE  
 Temperature Range: -4 to 356°F (-20 to 180°C)  
 Threaded Type: NPT / BSP / DIN / BSPT



#### Dimensions

Unit : inch

VALVE SIZE	ØD	L	H	E	P
1/4"	11.2	55	64	95	PF or NPT
3/8"	12.5	55	64	95	PF or NPT
1/2"	16	65	64	125	PF or NPT
3/4"	20	77	67	125	PF or NPT
1"	25	88	83	140	PF or NPT
1-1/4"	32	102	89	140	PF or NPT
1-1/2"	38	110	100	200	PF or NPT
2"	50.8	126	108	200	PF or NPT
2-1/2"	65	164	150	250	PF or NPT
3"	80	181	161	250	PF or NPT



#### Material

NO.	PART NAME	MATERIAL
1	BODY	AISI 316 / ASTM WCB
2	CAP	AISI 316 / ASTM WCB
3	BALL	SS 316
4	SEAT	PTFE.
5	STEM	SS 316
6	JOINT GASKET	PTFE.
7	THRUST WASHER	PTFE.
8	STEM PACKING	PTFE.
9	GLAND NUT	AISI 304
10	HANDLE	AISI 304
11	WASHER	AISI 304
12	Stem NUT	AISI 304
13	LOCKING PAD	AISI 304(OPTION)
14	PLASTIC Cover	PVC