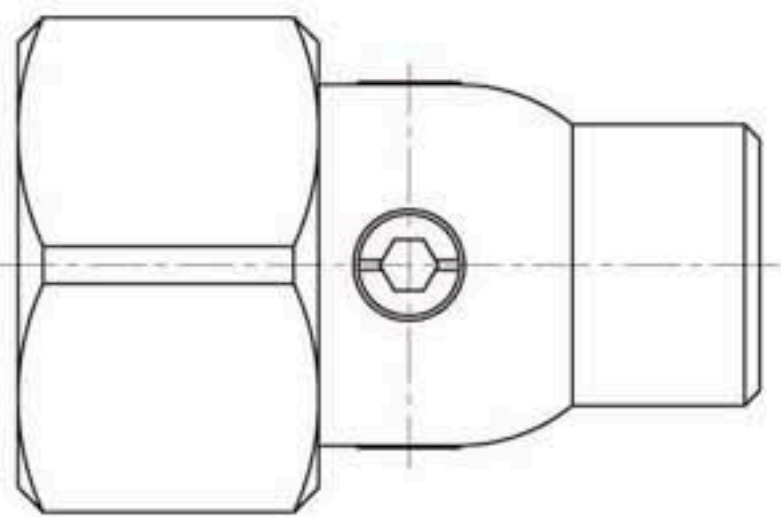




VW-14T1

Metal Seated, API 6 FA Fire Safe Design

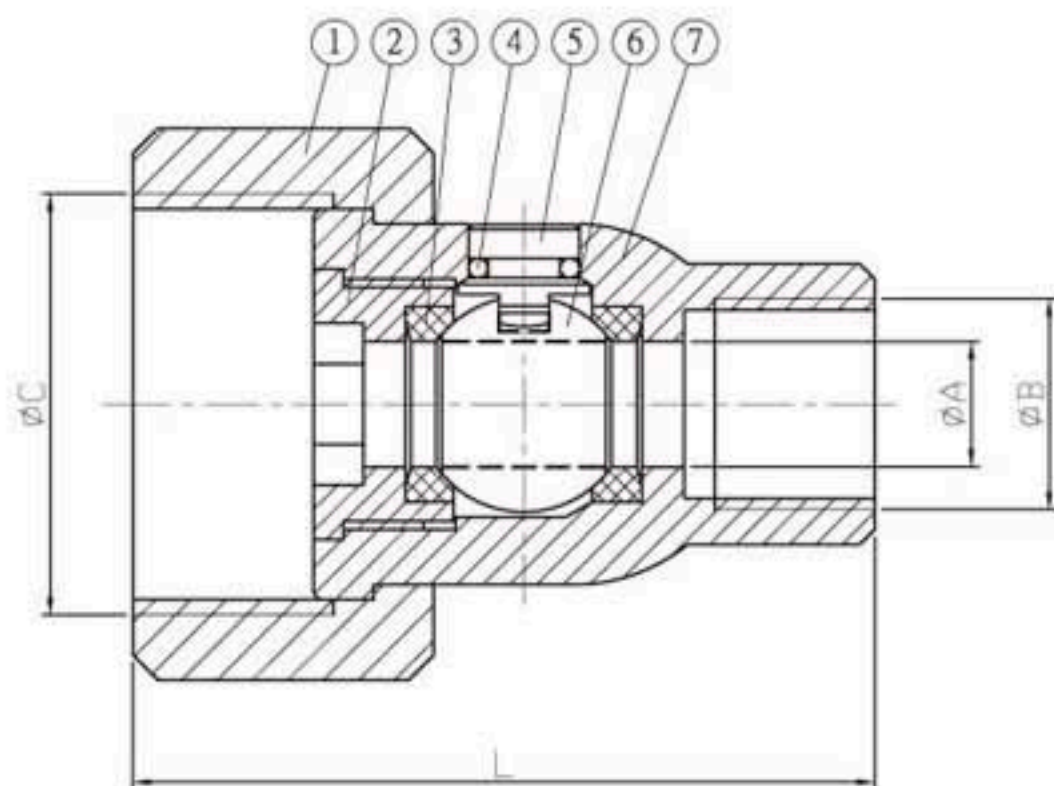
Full Bore 1/4"~1" (DN 8~DN 25)
 Anti Blow-out stem/Anti static design
 Body: Stainless steel, Carbon steel, Special Alloy steel
 Ball: SS 316 / SS 304
 Stem: SS 316 / SS 304
 Seat: PTFE, RTFE, PEEK, Nylon, PCTFE ... etc.
 Temperature Range: -4 to 356°F (-20 to 180°C)
 Threaded Type: NPT, BSP, DIN, BSPT



Dimensions

Unit : inch

VALVE SIZE	ØA	ØB	ØC	L
1/4"	9.7	1/4" PF / PT / NPT	1-1/8" PF	70.0
3/8"	11.6	3/8" PF / PT / NPT	1-1/8" PF	70.0
1/2"	12.5	1/2" PF / PT / NPT	1-1/4" PF	74.0
3/4"	15.0	3/4" PF / PT / NPT	1-1/2" PF	90.0
1"	20.0	1" PF / PT / NPT	2" PF	108.0



Material

NO.	PART NAME	MATERIAL
1	NUT	ASTM A351 CF8M
2	END CAP	ASTM A351 CF8M
3	SEAT	PTF(+15%G/F)
4	O-RING	VITON
5	STEM	SS 316
6	BALL	SS 316
7	BODY	ASTM A351 CF8M