



JM-11

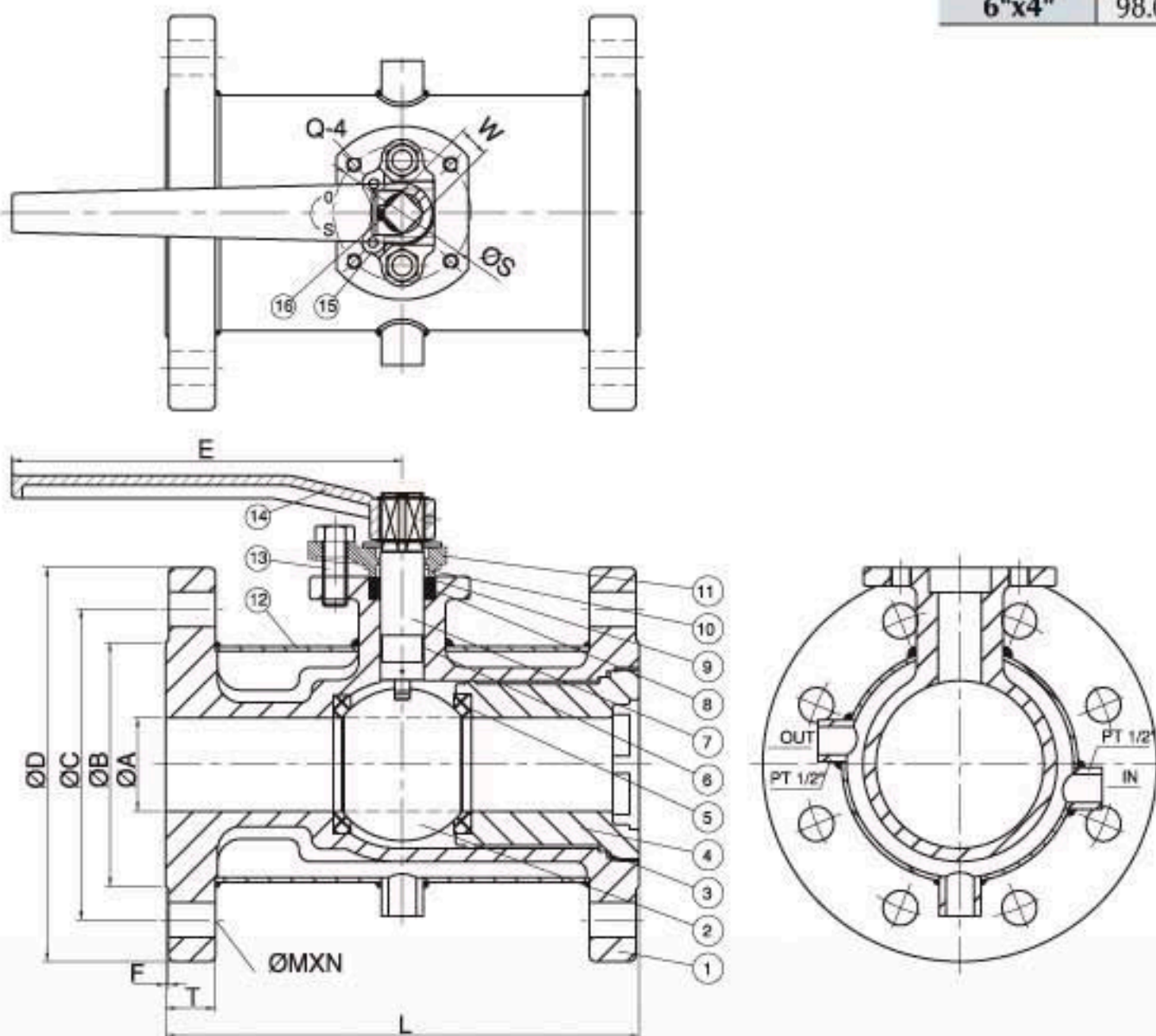


Full Bore 1/2"~6"(DN 15~ DN 150)
 ISO 5211 TOP Flange
 Body: Stainless steel, Carbon steel, Special Alloy steel
 Ball: SS 316 / SS 304
 Stem: SS 316 / SS 304
 Seat: RTFE / 50% S.S.+PTFE / Peek
 Jacket: SS 304
 Design Code: ASME B16.34
 Face to Face: Mfg. Std.
 Flange Dimensions: ANSI B16.5 Class 150 / 300 / 600
 EN 1092-1 PN10/16/25/40

Dimensions

Unit : mm

Valve Size	A	B	C	D	E	F	L	S	T	W	Q	øM-N
1-1/2"x1/2"	15.0	77.0	98.6	127.0	131.0	2.0	165.1	50.0	14.3	11.0	1/4"-20	Ø16.0-4
1-1/2"x3/4"	20.0	77.0	98.6	127.0	131.0	2.0	165.1	50.0	14.3	11.0	1/4"-20	Ø16.0-4
2"x1"	25.0	94.5	120.7	152.4	165.0	2.0	177.8	70.0	15.8	14.0	5/16"-18	Ø19.1-4
3"x1-1/2"	38.0	127.0	152.4	190.5	202.0	2.0	203.2	102.0	19.1	17.0	3/8"-16	Ø19.1-4
3"x2"	50.0	127.0	152.4	190.5	202.0	2.0	203.2	102.0	19.1	17.0	3/8"-16	Ø19.1-4
4"x2"	50.0	157.2	190.5	228.6	202.0	2.0	228.6	102.0	24.0	17.0	3/8"-16	Ø19.1-8
4"x2-1/2"	63.0	157.2	190.5	228.6	202.0	2.0	228.6	102.0	24.0	17.0	3/8"-16	Ø19.1-8
5"x3"	80.0	185.7	215.9	254.0	752.5	2.0	254.0	125.0	24.0	27.0	1/2"-13	Ø22.4-8
6"x3"	80.0	215.9	241.5	279.4	752.5	2.0	268.0	125.0	25.4	27.0	1/2"-13	Ø22.4-8
6"x4"	98.0	215.9	241.5	279.4	752.5	2.0	268.0	125.0	25.4	27.0	1/2"-13	Ø22.4-8



Material

No.	Part Name	Material
1	BODY	ASTM A351 Gr. CF8M
2	BALL	SS 316
3	BODY SEAL	GRAPHITE
4	END CAP	ASTM A351 Gr. CF8M
5	SEAT	PTFE+15%GF
6	STEM BEARING	PTFE
7	STEM	ASTM A276 Gr.316
8	STEM PACKING	GRAPHITE
9	GLAND WASHER	PTFE
10	GLAND BUSHING	PTFE
11	GLAND	ASTM A276 Gr.304
12	JACKET	ASTM A276 Gr.304
13	BOLT	ASTM A276 Gr.304
14	HANDLE	ASTM A536 Gr. FCD45
15	STOP PLATE	ASTM A210 Gr. 304
16	SNAP RING	ASTM A276 Gr.304