



3-pc Flanged Ball Valves Metal Seat, Direct Mounting Full Bore, DIN PN 16

HMT21-F

Metal Seated, API 6FA Fire Safe Design

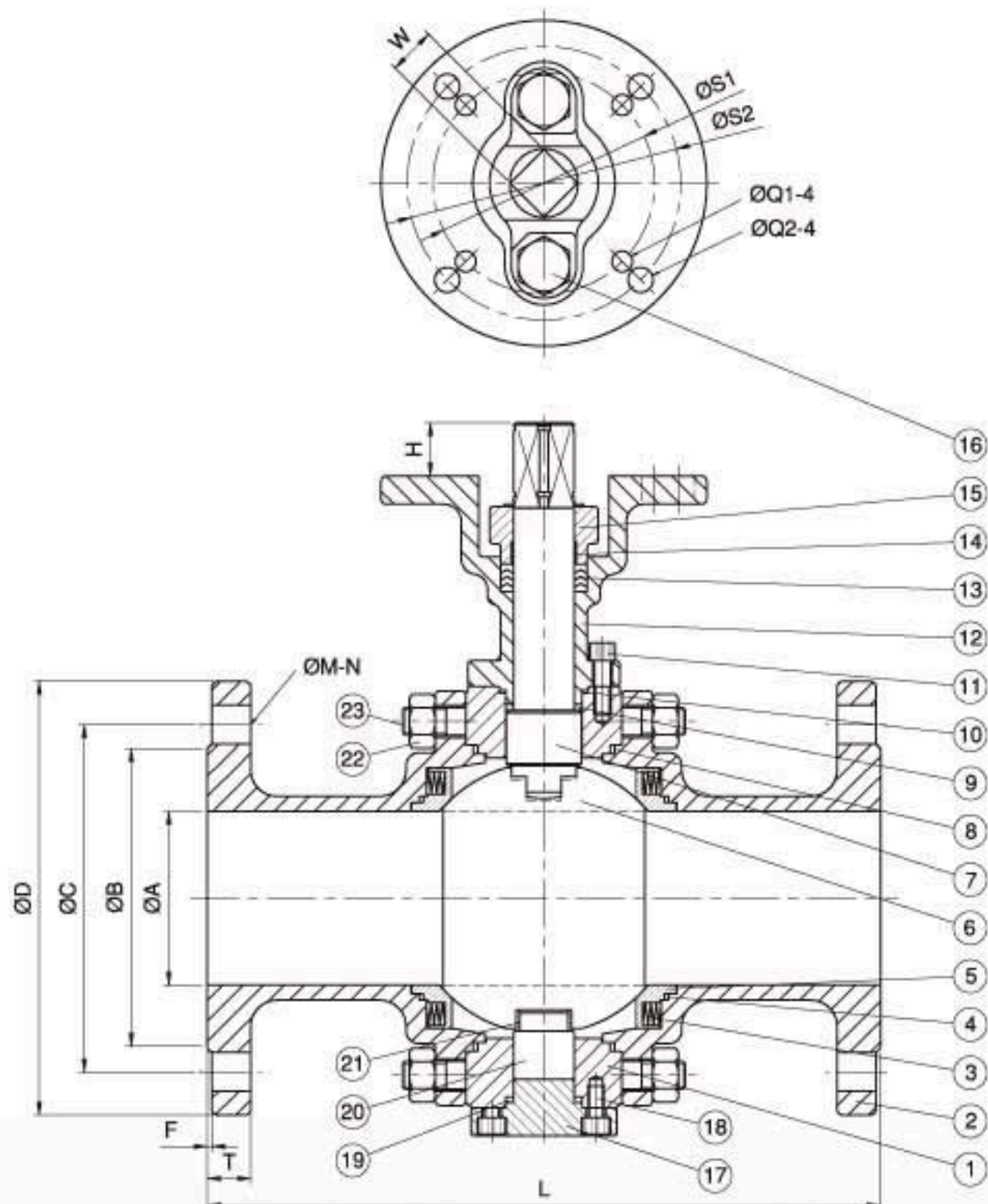


Full Bore 2"~4"
 Blow-out-proof stem design
 Anti-Static design / ISO 5211 Direct Mounting Flange
 Body: Stainless steel, Carbon steel, Special Alloy steel
 Ball: SS 316 (Coated)
 Stem: SS316
 Seats: SS 316 + Solder Stellite #6
 Temperature Range: -4 to 1022°F (-20 to 550°C)
 Face to Face: ANSI B16.10 Class 150 / 300 / 600
 EN 558-1 F1 / F4 / F5
 Flange Dimensions: ANSI B16.5 Class 150 / 300 / 600
 EN 1092-1 PN10/16/25/40
 JIS 10K
 Tightness rates: ΔP: ASME / FCI 70-2 Class V

Dimensions

Unit : mm

Valve Size	A	B	C	D	F	H	L	W	S1	S2	T	Q1	Q2	øM-N
DN 50	50.0	97.0	125.0	165.0	2.0	20.0	230.0	17.0	70.0	102.0	18.0	9.5	11.5	ø18-4
DN 80	80.0	138.0	160.0	200.0	2.0	25.0	310.0	22.0	102.0	125.0	20.0	11.5	13.5	ø18-8
DN 100	98.0	158.0	180.0	200.0	2.0	25.0	350.0	22.0	102.0	125.0	20.0	11.5	13.5	ø18-8



Material

No.	Part Name	Material
1	BODY	EN 10213-2 1.4408
2	END CAP	EN 10213-2 1.4408
3	SPRING	SS 316
4	SEAT SEAL	GRAPHITE
5	METAL SEAT	SS 316+Solder Stellite #6
6	BALL	SS 316+Hard Chrome Plated
7	STEM	SS 316
8	BODY SEAL	SS316 + GRAPHITE
9	THRUST WASHER	PTFE.
10	TOP COVER SEAL	PTFE.
11	BOLT	SS 304
12	TOP COVER	EN 10213-2 1.4408
13	STEM PACKING	GRAPHITE
14	GLAND WASHER	PTFE.
15	GLAND	SS 304
16	BOLT	SS 304
17	END PLATE	SS 304
18	BOLT	SS 304
19	GASKET	GRAPHITE
20	BOTTOM STEM	SS 304
21	BEARING	PTFE.
22	NUT	A194 Gr.8
23	STUD	A193 Gr.B8