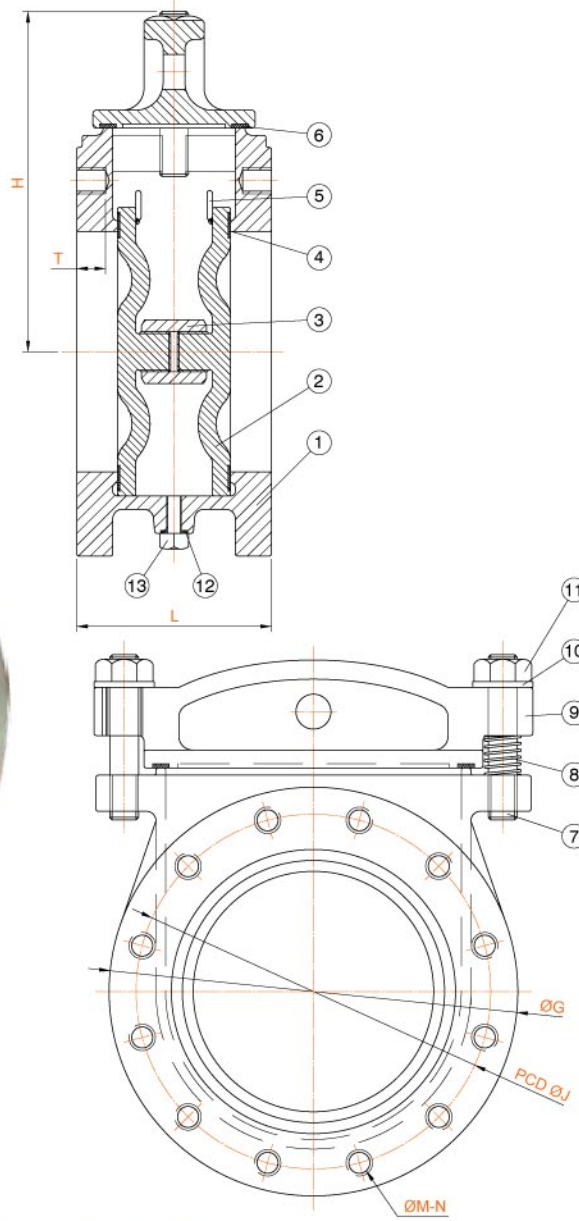




S1 Light

Size | DN50~DN300(2"~12")
 Pressure class | DIN PN10 / 16 / 25 / 40
 JIS 10K / 16K / 20K / 30K
 ANSI 150LBS

DNV CERTIFICATE NO.P-13002



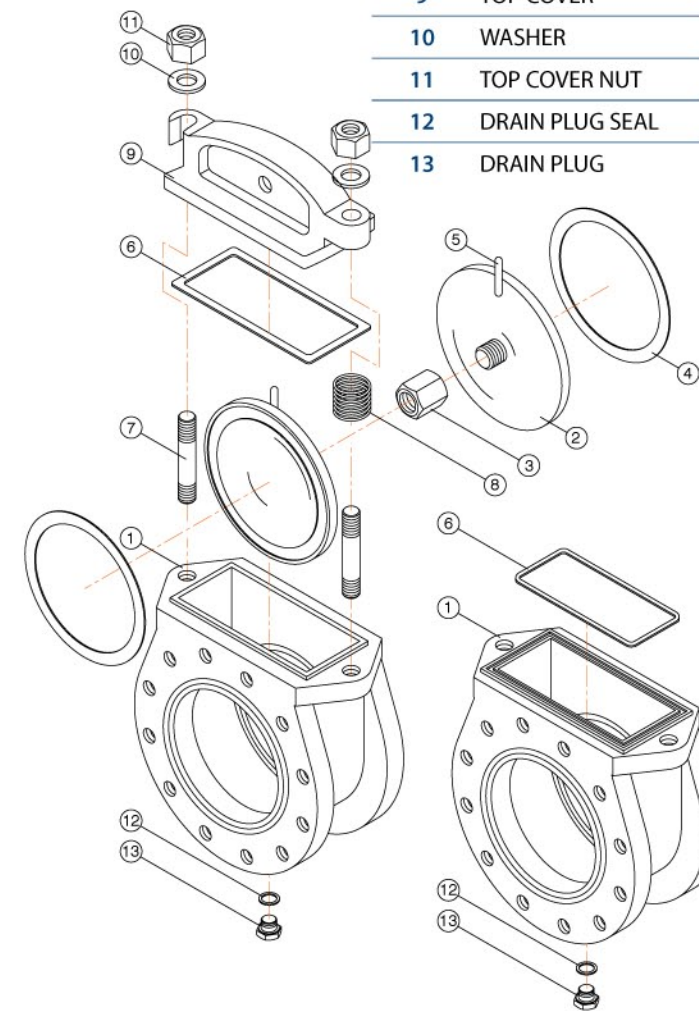
MATERIALS LIST

NO.	PART NAME	TYPE S.S.	TYPE C.S.
1	BODY	A351 Gr.CF8M(MoMin 2.75%)	A216 Gr.WCB
2	DISC	A351 Gr.CF8M(MoMin 2.75%)	AISI 304
3	TIGHTENING NUT	A351 Gr.CF8M(MoMin 2.75%)	AISI 304
4	DISC SEAL	PTFE	PTFE
5	STOP PIN	AISI 316	AISI 304
6	TOP COVER SEAL	KEMFLON+PTFE	KEMFLON+PTFE
7	TOP COVER BOLTS	AISI 316	AISI 304
8	SPRING	STAINLESS STEEL	STAINLESS STEEL
9	TOP COVER	A351 Gr.CF8M(MoMin 2.75%)	A216 Gr.WCB
10	WASHER	AISI 316	AISI 304
11	TOP COVER NUT	AISI 316	AISI 304
12	DRAIN PLUG SEAL	PTFE	PTFE
13	DRAIN PLUG	AISI 316	AISI 304

S.S. Stainless Steel(MoMin 2.75%) | C.S. Cast Steel(GS-C25)

PART LIST

NO.	PART NAME
1	BODY
2	DISC
3	TIGHTENING NUT
4	DISC SEAL
5	STOP PIN
6	TOP COVER SEAL
7	TOP COVER BOLTS
8	SPRING
9	TOP COVER
10	WASHER
11	TOP COVER NUT
12	DRAIN PLUG SEAL
13	DRAIN PLUG



For 2" - 8"

For 10" - 12"



DIMENSIONS

SIZE	øG	H	øJ	L	øM	N	T	Unit:mm
2"	PN 10	165.0	173.0	125.0	154.0	M16	4	18.0
	PN 16	165.0	173.0	125.0	154.0	M16	4	18.0
	PN 25	165.0	173.0	125.0	154.0	M16	4	18.0
	PN 40	165.0	173.0	125.0	154.0	M16	4	18.0
2-1/2"	PN 10	185.0	185.0	145.0	154.0	M16	4	18.0
	PN 16	185.0	185.0	145.0	154.0	M16	4	18.0
	PN 25	185.0	185.0	145.0	154.0	M16	8	18.0
	PN 40	185.0	185.0	145.0	154.0	M16	8	18.0
3"	PN 10	200.0	194.0	160.0	154.0	M16	8	18.0
	PN 16	200.0	194.0	160.0	154.0	M16	8	18.0
	PN 25	200.0	194.0	160.0	154.0	M16	8	18.0
	PN 40	200.0	194.0	160.0	154.0	M16	8	18.0
4"	PN 10	220.0	235.0	180.0	162.0	M16	8	20.0
	PN 16	220.0	235.0	180.0	162.0	M16	8	20.0
	PN 25	235.0	235.0	190.0	162.0	M20	8	20.0
	PN 40	235.0	235.0	190.0	162.0	M20	8	20.0
5"	PN 10	250.0	245.0	210.0	162.0	M16	8	22.0
	PN 16	250.0	245.0	210.0	162.0	M16	8	22.0
	PN 25	270.0	245.0	220.0	162.0	M24	8	22.0
	PN 40	270.0	245.0	220.0	162.0	M24	8	22.0
6"	PN 10	285.0	265.0	240.0	162.0	M20	8	22.0
	PN 16	285.0	265.0	240.0	162.0	M20	8	22.0
	PN 25	300.0	265.0	250.0	162.0	M24	8	22.0
	PN 40	300.0	265.0	250.0	162.0	M24	8	22.0
8"	PN 10	340.0	300.0	295.0	162.0	M20	8	24.0
	PN 16	340.0	300.0	295.0	162.0	M20	12	24.0
	PN 25	360.0	300.0	310.0	162.0	M24	12	24.0
	PN 40	375.0	300.0	320.0	162.0	M27	12	24.0
10"	PN 10	395.0	330.0	350.0	200.0	M20	12	26.0
	PN 16	405.0	330.0	355.0	200.0	M24	12	26.0
	PN 25	425.0	330.0	370.0	200.0	M27	12	26.0
	PN 40	450.0	330.0	385.0	200.0	M30	12	26.0
12"	PN 10	445.0	360.0	400.0	200.0	M20	12	28.0
	PN 16	460.0	360.0	410.0	200.0	M24	12	28.0
	PN 25	485.0	360.0	430.0	200.0	M27	16	28.0
	PN 40	515.0	360.0	450.0	200.0	M30	16	28.0