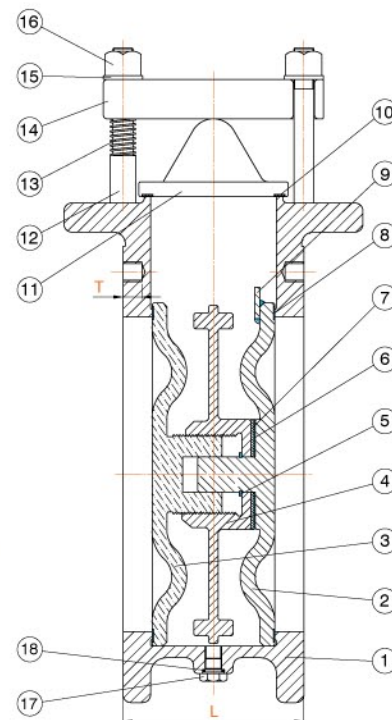
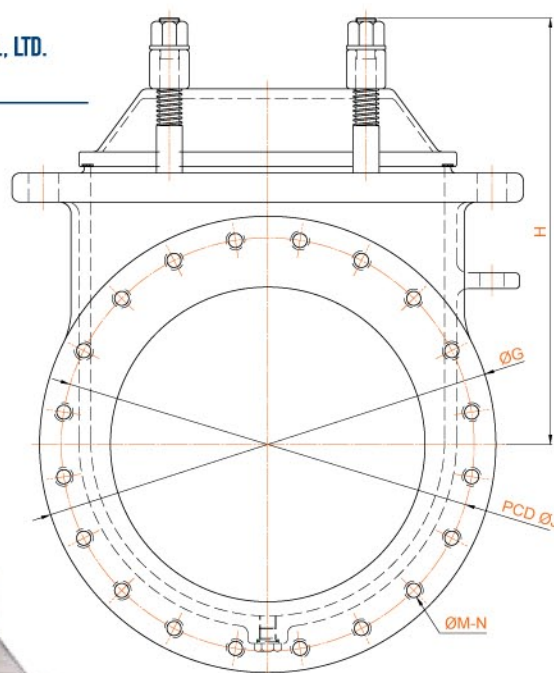


# S1 Heavy



Size | DN350~DN750(14"~30")  
 Pressure class | DIN PN10 / 16 / 25 / 40  
 JIS 10K / 16K / 20K / 30K  
 ANSI 150LBS



## MATERIALS LIST

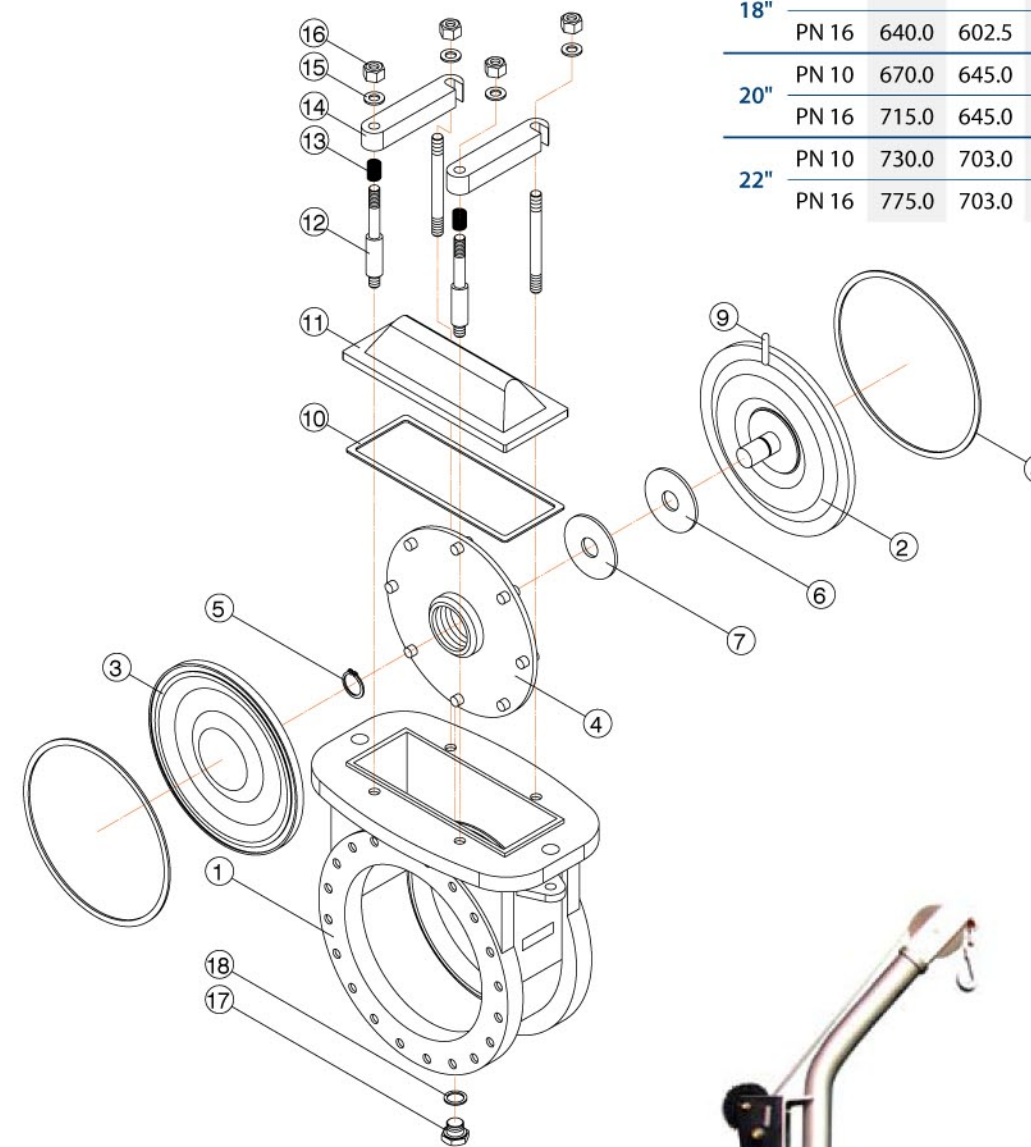
NO.	PART NAME	TYPE S.S.	TYPE C.S.
1	BODY	A351 Gr.CF8M(MoMin 2.75%)	A216 Gr.WCB
2	DISC-BOLT	A351 Gr.CF8M(MoMin 2.75%)	AISI 304
3	DISC-ROD	A351 Gr.CF8M(MoMin 2.75%)	AISI 304
4	TIGHTENING-DISC	A351 Gr.CF8M(MoMin 2.75%)	AISI 304
5	SEEGER-RING	AISI 316	AISI 316
6	FRICION WASHER	PTFE	PTFE
7	PRESSURE WASHER	BRONZE	BRONZE
8	DISC SEAL	PTFE	PTFE
9	STOPPER	AISI 316	AISI 304
10	TOP COVER SEAL	KEMFLON+PTFE	KEMFLON+PTFE
11	TOP COVER	A351 Gr.CF8M(MoMin 2.75%)	A216 Gr.WCB
12	TOP COVER BOLTS	AISI 316	AISI 304
13	SPRING	STAINLESS STEEL	STAINLESS STEEL
14	COVER -BAR	A351 Gr.CF8M(MoMin 2.75%)	A216 Gr.WCB
15	WASHER	AISI 316	AISI 304
16	TOP COVER NUT	AISI 316	AISI 304
17	DRAIN PLUG	AISI 316	AISI 304
18	DRAIN PLUG SEAL	PTFE	PTFE

S.S. Stainless Steel(MoMin 2.75%) | C.S. Cast Steel(GS-C25)

## DIMENSIONS

Unit:mm

SIZE	PN	øG	H	øJ	L	øM	N	T
14"	PN 10	505.0	505.0	460.0	230.0	M20	16	23.0
	PN 16	520.0	505.0	470.0	230.0	M24	16	23.0
16"	PN 10	565.0	540.0	515.0	230.0	M24	16	24.0
	PN 16	580.0	540.0	525.0	230.0	M27	16	24.0
18"	PN 10	615.0	602.5	565.0	260.0	M24	20	26.0
	PN 16	640.0	602.5	585.0	260.0	M27	20	26.0
20"	PN 10	670.0	645.0	620.0	272.0	M24	20	28.0
	PN 16	715.0	645.0	650.0	272.0	M30	20	28.0
22"	PN 10	730.0	703.0	675.0	350.0	M27	20	30.0
	PN 16	775.0	703.0	710.0	350.0	M30	20	30.0



## PART LIST

NO.	PART NAME
1	BODY
2	DISC-BOLT
3	DISC-ROD
4	TIGHTENING-DISC
5	SEEGER-RING
6	FRICION-DISC
7	PRESSURE-DISC
8	DISC SEAL
9	STOPPER
10	TOP COVER SEAL
11	TOP COVER
12	TOP COVER BOLTS
13	SPRING
14	COVER-BAR
15	WASHER
16	TOP COVER NUT
17	DRAIN PLUG
18	DRAIN PLUG SEAL

