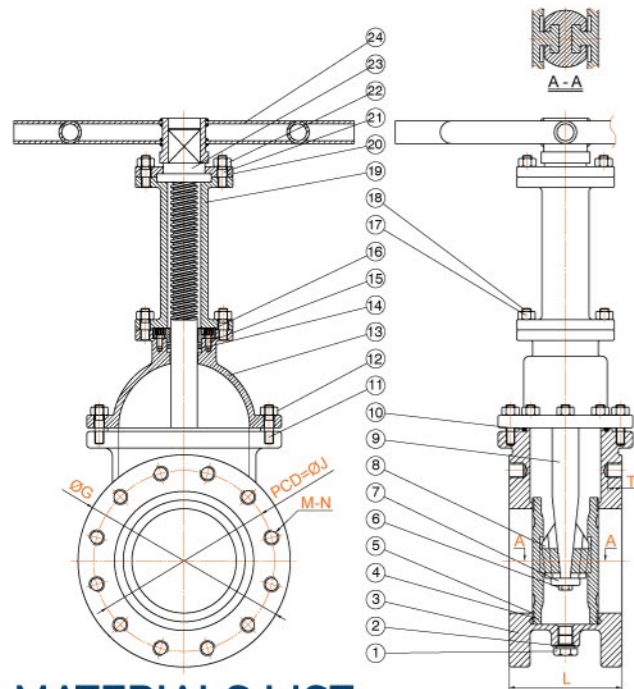


R5

Size |
DN50~DN300(2"~12")
Pressure class |
DIN PN10 / 16 / 25 / 40
JIS 10K / 16K / 20K / 30K
ANSI 150LBS

TAIWAN PATENT NO.M314165



DIMENSIONS

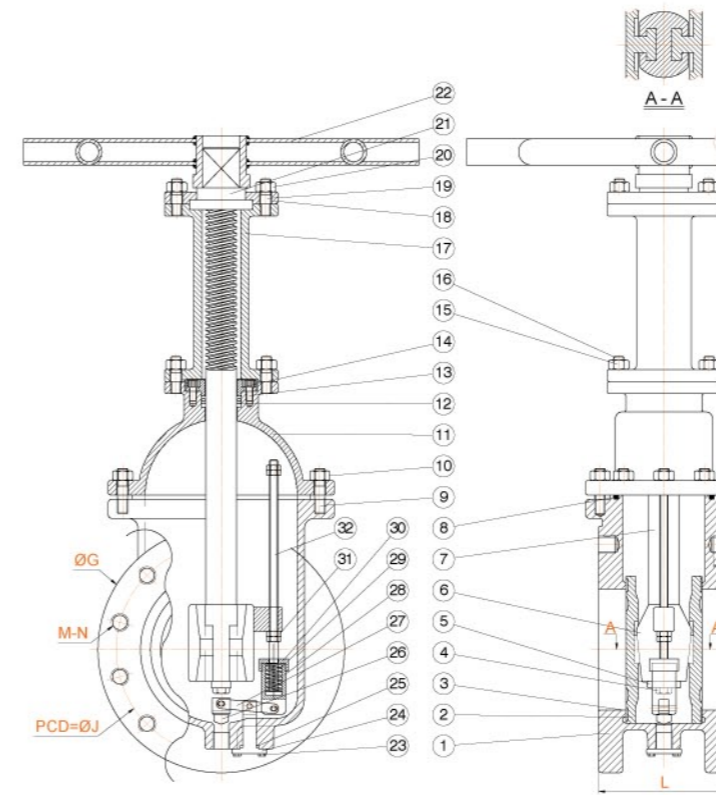
Unit:mm

SIZE	øG	øJ	L	øM	N	T	
2"	PN 10	165.0	125.0	154.0	M16	4	18.0
	PN 16	165.0	125.0	154.0	M16	4	18.0
	PN 25	165.0	125.0	154.0	M16	4	18.0
	PN 40	165.0	125.0	154.0	M16	4	18.0
2-1/2"	PN 10	185.0	145.0	154.0	M16	4	18.0
	PN 16	185.0	145.0	154.0	M16	4	18.0
	PN 25	185.0	145.0	154.0	M16	8	18.0
	PN 40	185.0	145.0	154.0	M16	8	18.0
3"	PN 10	200.0	160.0	154.0	M16	8	18.0
	PN 16	200.0	160.0	154.0	M16	8	18.0
	PN 25	200.0	160.0	154.0	M16	8	18.0
	PN 40	200.0	160.0	154.0	M16	8	18.0
4"	PN 10	220.0	180.0	162.0	M16	8	20.0
	PN 16	220.0	180.0	162.0	M16	8	20.0
	PN 25	235.0	190.0	162.0	M20	8	20.0
	PN 40	235.0	190.0	162.0	M20	8	20.0
5"	PN 10	250.0	210.0	162.0	M16	8	22.0
	PN 16	250.0	210.0	162.0	M16	8	22.0
	PN 25	270.0	220.0	162.0	M24	8	22.0
	PN 40	270.0	220.0	162.0	M24	8	22.0
6"	PN 10	285.0	240.0	162.0	M20	8	22.0
	PN 16	285.0	240.0	162.0	M20	8	22.0
	PN 25	300.0	250.0	162.0	M24	8	22.0
	PN 40	300.0	250.0	162.0	M24	8	22.0
8"	PN 10	340.0	295.0	162.0	M20	8	24.0
	PN 16	340.0	295.0	162.0	M20	12	24.0
	PN 25	360.0	310.0	162.0	M24	12	24.0
	PN 40	375.0	320.0	162.0	M27	12	24.0
10"	PN 10	395.0	350.0	200.0	M20	12	26.0
	PN 16	405.0	355.0	200.0	M24	12	26.0
	PN 25	425.0	370.0	200.0	M27	12	26.0
	PN 40	450.0	385.0	200.0	M30	12	26.0
12"	PN 10	445.0	400.0	200.0	M20	12	28.0
	PN 16	460.0	410.0	200.0	M24	12	28.0
	PN 25	485.0	430.0	200.0	M27	16	28.0
	PN 40	515.0	450.0	200.0	M30	16	28.0

MATERIALS LIST

NO.	PART NAME	TYPE S.S.	TYPE C.S.
1	DRAIN PLUG	AISI 316	AISI 304
2	DRAIN PLUG SEAL	PTFE	PTFE
3	BODY	A351 Gr.CF8M(MoMin 2.75%)	A216 Gr.WCB
4	DISC	A351 Gr.CF8M(MoMin 2.75%)	A216 Gr.WCB
5	DISC SEAL	PTFE	PTFE
6	BOLT	AISI 316	AISI 304
7	BRACKET	AISI 316	AISI 304
8	SLIDE	A351 Gr.CF8M(MoMin 2.75%)	A216 Gr.WCB
9	STEM	AISI 316	AISI 304
10	TOP COVER SEAL	PTFE	PTFE
11	TOP COVER STUD	AISI 316	AISI 304
12	TOP COVER NUT	AISI 316	AISI 304
13	TOP COVER	A351 Gr.CF8M(MoMin 2.75%)	A216 Gr.WCB
14	PACKING	PTFE	PTFE
15	GLAND BOLT	AISI 316	AISI 304
16	GLAND	AISI 316	AISI 304
17	BONNET NUT	AISI 316	AISI 304
18	BONNET STUD	AISI 316	AISI 304
19	BONNET	A351 Gr.CF8M(MoMin 2.75%)	A216 Gr.WCB
20	BRACKET	AISI 316	AISI 304
21	BRACKET STUD	AISI 316	AISI 304
22	BRACKET NUT	AISI 316	AISI 304
23	YOKE SLEEVE	BRONZE	BRONZE
24	HANDLE	STEEL	STEEL

S.S. Stainless Steel(MoMin 2.75%) | C.S. Cast Steel(GS-C25)



MATERIALS LIST

NO.	PART NAME	TYPE S.S.	TYPE C.S.
1	BODY	A351 Gr.CF8M(MoMin 2.75%)	A216 Gr.WCB
2	DISC	A351 Gr.CF8M(MoMin 2.75%)	AISI 304
3	DISC SEAL	PTFE	PTFE
4	BOLT	AISI 316	AISI 304
5	BRACKET	AISI 316	AISI 304
6	SLIDE	AISI 316	AISI 304
7	STEM	AISI 316	AISI 304
8	TOP COVER SEAL	PTFE	PTFE
9	TOP COVER BOLT	AISI 316	AISI 304
10	TOP COVER NUT	AISI 316	AISI 304
11	TOP COVER	A351 Gr.CF8M(MoMin 2.75%)	A216 Gr.WCB
12	PACKING	PTFE	PTFE
13	GLAND BOLT	AISI 316	AISI 304
14	GLAND	AISI 316	AISI 304
15	BONNET NUT	AISI 316	AISI 304
16	BONNET BOLT	AISI 316	AISI 304
17	BONNET	A351 Gr.CF8M(MoMin 2.75%)	A216 Gr.WCB
18	BRACKET	AISI 316	AISI 304
19	BRACKETE BOLT	AISI 316	AISI 304
20	BRACKET NUT	AISI 316	AISI 304
21	YOKE SLEEVE	BRONZE	BRONZE
22	HANDLE	STEEL	STEEL
23	BOLT	AISI 316	AISI 304
24	BOTTOM PIN	AISI 316	AISI 304
25	BOTTOM SEAL	PTFE	PTFE
26	PLUG	AISI 316	AISI 304
27	TRANSMITTAL BAR	AISI 316	AISI 304
28	SPRING BOX	AISI 316	AISI 304
29	SPRING	AISI 316	AISI 304
30	SPRING BOX COVER	AISI 316	AISI 304
31	NUT	AISI 316	AISI 304
32	STOP BAR	AISI 316	AISI 304

S.S. Stainless Steel(MoMin 2.75%) | C.S. Cast Steel(GS-C25)

Size |
DN50~DN300(2"~12")
Pressure class |
DIN PN10 / 16 / 25 / 40
JIS 10K / 16K / 20K / 30K
ANSI 150LBS

TAIWAN PATENT NO.M314165

R7

DIMENSIONS

Unit:mm

SIZE	øG	øJ	L	øM	N	T	
2"	PN 10	165.0	125.0	154.0	M16	4	18.0
	PN 16	165.0	125.0	154.0	M16	4	18.0
	PN 25	165.0	125.0	154.0	M16	4	18.0
	PN 40	165.0	125.0	154.0	M16	4	18.0
2-1/2"	PN 10	185.0	145.0	154.0	M16	4	18.0
	PN 16	185.0	145.0	154.0	M16	4	18.0
	PN 25	185.0	145.0	154.0	M16	8	18.0
	PN 40	185.0	145.0	154.0	M16	8	18.0
3"	PN 10	200.0	160.0	154.0	M16	8	18.0
	PN 16	200.0	160.0	154.0	M16	8	18.0
	PN 25	200.0	160.0	154.0	M16	8	18.0
	PN 40	200.0	160.0	154.0	M16	8	18.0
4"	PN 10	220.0	180.0	162.0	M16	8	20.0
	PN 16	220.0	180.0	162.0	M16	8	20.0
	PN 25	235.0	190.0	162.0	M20	8	20.0
	PN 40	235.0	190.0	162.0	M20	8	20.0
5"	PN 10	250.0	210.0	162.0	M16	8	22.0
	PN 16	250.0	210.0	162.0	M16	8	22.0
	PN 25	270.0	220.0	162.0	M24	8	22.0
	PN 40	270.0	220.0	162.0	M24	8	22.0
6"	PN 10	285.0	240.0	162.0	M20	8	22.0
	PN 16	285.0	240.0	162.0	M20	8	22.0
	PN 25	300.0	250.0	162.0	M24	8	22.0
	PN 40	300.0	250.0	162.0	M24	8	22.0
8"	PN 10	340.0	295.0	162.0	M20	8	24.0
	PN 16	340.0	295.0	162.0	M20	12	24.0
	PN 25	360.0	310.0	162.0	M24	12	24.0
	PN 40	375.0	320.0	162.0	M27	12	24.0
10"	PN 10	395.0	350.0	200.0	M20	12	26.0
	PN 16	405.0	355.0	200.0	M24	12	26.0
	PN 25	425.0	370.0	200.0	M27	12	26.0
	PN 40	450.0	385.0	200.0	M30	12	26.0
12"	PN 10	445.0	400.0	200.0	M20	12	28.0
	PN 16	460.0	410.0	200.0	M24	12	28.0
	PN 25	485.0	430.0	200.0	M27	16	28.0
	PN 40	515.0	450.0	200.0	M30	16	28.0